

Catalog updated 2011-04-19
(pg60, new circuit diagrams for PSE)
Not printed, only in PDF format
Latest printed version B, March 2011



Catalog

Softstarters

Type PSR, PSS, PSE, PST and PSTB

Power and productivity
for a better world™



Efficient PSE Range – World's first compact softstarter with Torque control

The latest addition to the ABB softstarter family is the efficient PSE range. This softstarter has been equipped with all the most important features making it a very efficient choice. During the development process, great focus has been put into making sure that both the softstarter and the process are even more reliable. Further more, the softstarter has been equipped with built-in by-pass to reduce the wiring and also with a back-lit display to provide a hassle free and easy set-up and monitoring.

The complete range of Softstarters

The ABB softstarter portfolio now consists of 4 different ranges making it possible to find a suitable softstarter for almost all possible applications and motor sizes all the way up to 1800A. The softstarter family consists of the Compact PSR, the Flexible PSS, the Efficient PSE and the Advanced PST(B) range.

Semiconductor fuses changed to knife type

The Bussmann semiconductor fuses, recommended to be used together with PSS, PSE and PST(B) softstarters have been changed from screw fixing (DIN43 653) to knife fixing (DIN43 620). This will make it possible to use the standard OS type switch fuses from ABB.



Contents

News	2	
Contents	3	
Softstarters	4	
Applications.....	6	
PSR - The compact range		
Description	8	
Overview	9	
Ordering details.....	10	
Accessories.....	11	
Technical data	12	
UL ratings	13	
PSS - The flexible range		
Description	14	
Overview	16	
Ordering details.....	18	
Accessories.....	22	
Technical data	23	
UL ratings	25	
PSE - The efficient range		
Description	26	
Overview	28	
Ordering details.....	30	
Accessories.....	32	
Technical data	33	
UL ratings	35	
PST(B) - The advanced range		
Description	36	
Overview	38	
Ordering details.....	40	
Accessories.....	44	
Technical data	45	
UL ratings	49	
FBP Field Bus Plug		
DeviceNET, MODBUS-RTU and CANopen.....	50	
Profibus DP	52	
Wall mounting instructions		54
Dimensions		55
Circuit diagrams		59
ProSoft (selection tool)		62
Coordination tables.....		62
Certifications and approvals		63

Softstarters

From the moment the first electrical motors was developed, engineers have been searching for a way to avoid electrical and mechanical problems that usually occur when starting the motor. These problems include high inrush current and current spikes as well as excessive mechanical wear. One traditional way to avoid this is to use a star delta starter. This starting method is in many applications insufficient, as problems with current spikes and torque peaks will remain. In addition, it does not provide any way to perform a soft stop. A softstarter on the other hand will provide far better performance during the start and also the possibility to soft stop the motor.

ABB has been producing softstarters since the beginning of the 1980's. The valuable experience gained since the early 80's has been incorporated into the design of today's product ranges. Matching modern power electronics with smart circuitry and software, the ABB softstarters offer superior control of the current and voltage during motor start-up and stop, in addition to several state of the art design features.

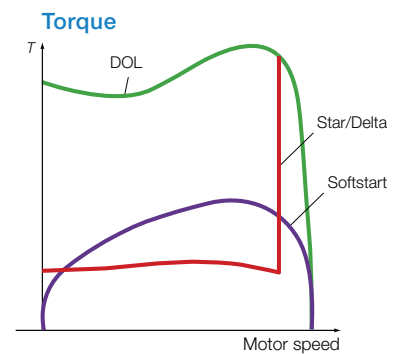
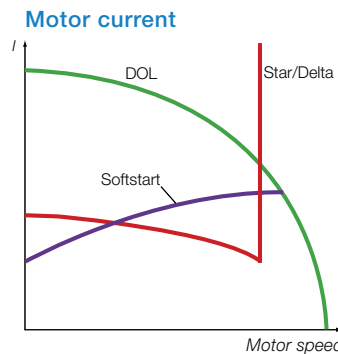
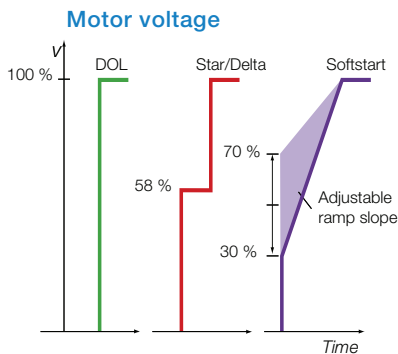
The solution to both mechanical and electrical problems
AC motors, "the workhorse of the industry", are used to drive fans, crushers, agitators, pumps, conveyors, etc. Depending on how it is installed, too often unnecessary and unwanted torque and current peaks are an everyday reality in produc-

tion plants all over the world, causing damage in several ways. Among them are:

- Electrical problems due to voltage and current transients arising from Direct-On-Line or Star-Delta starts. Such transients may overload the local supply network and cause unacceptable voltage variations that interfere with other electrical equipment connected to the network.
- Mechanical problems that address the entire drive chain, from motor to driven equipment, causing a big need for service and repair as well as unwanted down time.
- Operational problems, such as damage to products on conveyor belts.
- Water hammering and pressure surges in pipe systems when starting and stopping pumps.

The financial consequences are considerable; every technical problem and every breakdown costs money in terms of repairs as well as lost production.

The easy solution to all of these problems is to install an ABB Softstarter type PSR, PSS, PSE or PST(B). With ABB Softstarters, it is possible to start and stop smoothly while keeping mechanical and electrical stresses to a minimum.



Graphs showing the basic differences between direct-on-line starting (DOL), star-delta starting and soft starting in terms of the motor voltage (V), motor current (I) and motor torque (T).

Softstarters

ABB softstarters – The complete range

ABB offers four different ranges of softstarters to cover every customer need for solutions for motor sizes up to 1800 A. This page describes the main characteristics of the different softstarter ranges

PSR – The compact range

The PSR softstarter is the most compact of all the softstarter ranges, thereby making it possible to design compact starting equipments. The system concept with Manual Motor Starters and the PSR provides a far more compact starting solution than for instance a star delta starter.

Built-in by-pass reduces the energy loss and makes the connection easier and with only three potentiometers, the set-up couldn't be any easier. Still, the optimized ramping characteristics will ensure a very smooth start and stop for all applications.

PSS – The flexible range

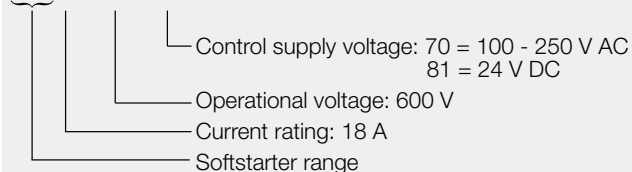
The PSS softstarter allows both in line and inside delta connection making it a very flexible option. Just as on the PSR softstarter, the few settings make the set-up very easy. Connecting an external current transformer makes it possible to activate the current limit function, which will allow you to keep the current at a pre-set level also when starting heavy duty applications. The PSS softstarter is the ideal solution when looking for a robust solid state starting solution where many starts per hour are required.

PSE – The efficient range

The PSE softstarter is the world's first compact softstarter with both built-in electronic overload for motor protection and torque control for an excellent control of pumps. The compact design with the most important functionality integrated provides a very efficient starting solution.

The illuminated language neutral display and the four button keypad make it easy to take advantage of all the advanced functionality in the softstarter. The display will also provide all the necessary information both during ramping and continuous operation.

PSR18 - 600 - 70



PST(B) – The advanced range

The PST(B) softstarter is the most advanced softstarter in the range with almost all imaginable functionality included. All the advanced protections for the motor, the softstarter and the load ensure a trouble free operation. Pre-warnings even allow problems to be detected before the motor needs to be stopped and thereby avoiding unnecessary downtime.

The torque control function has been developed and tested together with well known pump manufacturers to ensure the absolutely best possible stop of pumps without water hammering and pressure surges.

With the full text LCD display in your own language, pre-programmed application settings and event logging, it couldn't be easier to set-up and operate.

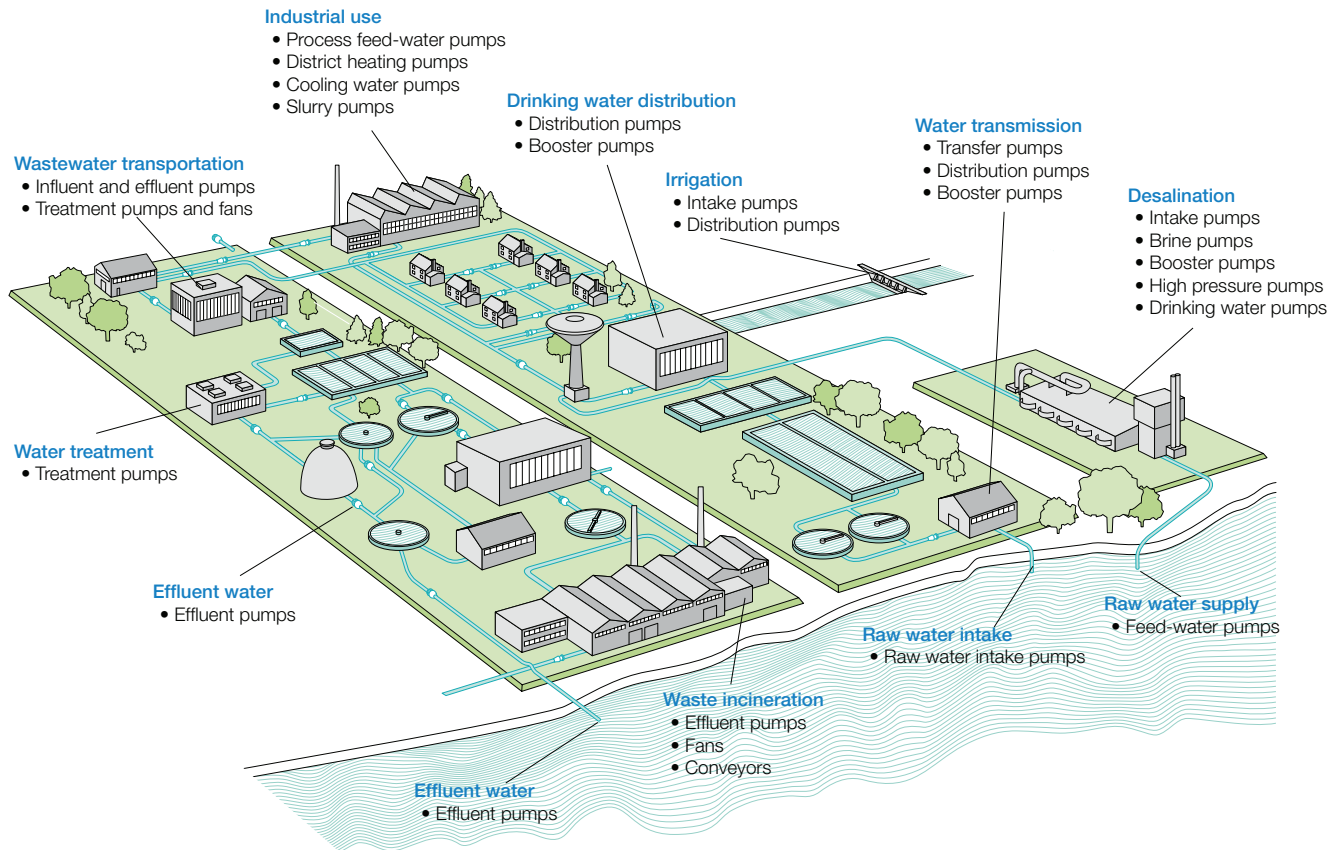
By using the ABB FieldBusPlug, you can decide at any time which bus protocol to use. The fieldbus system will allow you to set-up, control and monitor the softstarter.

PSR	PSS	PSE	PST(B)	• Standard O Optional – Not available
•	–	•	• 1)	Built-in by-pass 1) on PSTB
–	•	–	•	Inside delta connection
–	–	•	O	Coated PCBs
–	–	•	•	Display and keypad
–	–	•	•	Torque control
–	O	•	•	Settable current limit function
–	–	•	•	Electronic motor overload protection
–	–	–	•	PTC input for motor protection
–	–	–	•	Phase imbalance protection
–	–	–	•	Phase reversal protection
–	–	•	•	Locked rotor protection
–	•	•	•	Thyristor overtemperature protection
–	–	•	•	Underload protection
–	–	–	•	Programmable warning functions
–	–	•	•	Analog output
O	–	O	•	FieldBus communication
–	–	O	•	Event log
–	–	O	O	External keypad

Applications

Pumps

Water is the world's most important resource and water facilities can be found all over the world. Examples of water applications are freshwater and wastewater systems, circulating water for heating or cooling and irrigation.



Common questions:

- How to avoid voltage drops when starting?
 - ABB softstarter will reduce the starting current and thereby avoid the voltage drops.
- How to avoid water hammering when stopping?
 - Use our softstarters equipped with an optimized stop ramp or even better with torque control.
- How to ensure high reliability in harsh environments?
 - Use our softstarters equipped with coated circuit boards to better withstand those environments.
- How to protect my pumping equipment in the best possible way?
 - Use ABB softstarters equipped with our special designed protections such as overload, underload, and locked rotor protection.

Applications

Fans



Common questions:

- How to avoid extended voltage drops due to long starting time?
- Use an ABB softstarter equipped with current limit to keep control of the starting current.
- How to extend the life of the driving belts?
- Our softstarters will reduce the mechanical stress during start, thus avoiding slipping belts.
- How to ensure the operation of the fan?
- A softstarter with underload protection will detect broken belts, making the operator immediately aware of the problem.

Compressors



Common questions:

- How to ensure a long life of the compressor?
- Using a softstarter for starting will reduce the accelerating torque, thereby minimizing the mechanical stress.
- How to build a compact compressor unit?
- Using a compact softstarter like PSR or PSE will allow a much more compact starting equipment than for instance a star delta starter.

Conveyor belts



Common questions:

- How to reduce the need for service and repair of the conveyor belt?
- A softstarter from ABB will cause minimal mechanical stress on the conveyor belt.
- How to avoid that the conveyor belt is running in the wrong direction?
- Use a softstarter with phase reversal protection.
- How to improve the efficiency of the conveyor belt?
- Using softstarters with high and low current warnings allows you to load on and off the conveyor belt.
- How to ensure a successful start even after longer times without operation?
- A softstarter with kick start function will provide sufficient torque to be able to overcome the initial high friction from a temporarily jammed belt.

PSR – The compact range

Description

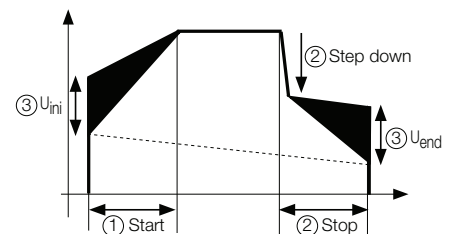
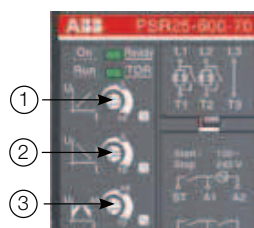


Product description

- Wide rated operational voltage 208 – 600 V
- Rated control supply voltage 24 V DC or 100 – 240 V AC
- Rated operational current 3 – 105 A
- Wide ambient temperature range, -25 to +60 °C
- Built-in by-pass on all sizes, saving energy and reducing installation time
- Potentiometer settings
- Run signal relay on all devices
- TOR signal relay on PSR25 ... PSR105
- Optional fieldbus communication using Profibus, Modbus, Devicenet or CANopen
- DIN rail mounting on PSR3 ... PSR45
- Screw mounting on all sizes
- Connection kits for easy connection with ABB manual motor starters
- Sophisticated algorithm eliminating the DC-component and thereby providing excellent starting performance.

Settings

- ① Start = 1 ... 20 sec
Stop = 0 ... 20 sec - including the step down voltage.
- ② Step down = 2% reduction for each second increased stop ramp
Stop ramp 10 sec -> Step down 80% (20% reduction)
- ③ U_{ini} = 40 ... 70% results in End voltage = 30 ... 60%



The PSR range is the most compact of all the ABB softstarter ranges, thereby making it possible to fit many devices into the same enclosure. The system concept with Manual Motor Starters provides a far more compact starting solution than for example a star delta starter.

Flexible mounting

PSR softstarters from 3 to 45 A are possible to mount on a din rail, ensuring quick and easy mounting. Naturally, all sizes can be screw mounted.

Few settings

The set-up of the PSR is easily done and confirmed using the three clearly marked potentiometers on the front.

Built-in by-pass for energy saving

The built-in by-pass on all sizes does not only save energy; it will also ensure the most compact ABB softstarter design and reduce the installation time. Thanks to the reduced heat generation, the softstarter can be mounted inside high IP class enclosures.

Suitable for stopping pumps

Even without using torque control, the PSR range is designed to reduce water hammering and will allow a superior stop compared to the direct stop resulting from a star delta starter or a DOL starter. See the special designed stop ramp with step down voltage below.

System concept with manual motor starters

All PSR softstarter sizes can easily be connected to the corresponding manual motor starters from ABB, using the special designed connection kits. This will both make the mounting and the connection easier and will provide a very compact starting solution containing short circuit and thermal protection, isolation function and soft starter - everything that you need.

PSR – The compact range

Overview



	PSR3 ... PSR16				PSR25 ... PSR30		PSR37... PSR45		PSR60 ... PSR105				
	Softstarter. Type												
Normal start In-line connected	PSR3	PSR6	PSR9	PSR12	PSR16	PSR25	PSR30	PSR37	PSR45	PSR60	PSR72	PSR85	PSR105
(400 V) kW	1.5	3	4	5.5	7.5	11	15	18.5	22	30	37	45	55
IEC, Max. A	3.9	6.8	9	12	16	25	30	37	45	60	72	85	105
(440-480 V) hp	2	3	5	7.5	10	15	20	25	30	40	50	60	75
UL, Max FLA	3.4	6.1	9	11	15.2	24.2	28	34	46.2	59.4	68	80	104
	400 V, 40 °C												
Using manual motor starters type 1 coordination will be achieved	Manual motor starter (50 kA) type												
	MS116			MS132			MS450		MS495		—		
Using gG fuses type 1 coordination will be achieved	Fuse protection (50 kA) gG Fuse												
	10 A	16 A	25 A	32 A		50 A	63 A	100 A	125 A	200 A		250 A	
Suitable switch fuse for the above gG fuses	Switch fuse, type												
	OS32GD				OS125GD				OS250GD				
Overload protection is used to protect the motor from over heating	Thermal overload relay												
	TF42DU				TA75DU				TA110DU				
The line contactor is not required for the softstarter itself but often used to open if OL trips	Line contactor, type												
	AF9		AF12	AF16	AF26	AF30	AF38	A50	A63	A75	A95	A110	
Using by-pass will reduce the power loss and allow more starts per hour	By-pass contacts												
	Built-in												

PSR – The compact range

Ordering details



PSR3 ... PSR105

Rated operational voltage U_e , 208-600 V AC

Rated control supply voltage, U_c , 100 - 240 V AC

Motor power

230 V P_e kW	400 V P_e kW	500 V P_e kW	IEC Max rated operational current I_e A	Type	Order code	Weight kg 1 piece
0.75	1.5	2.2	3.9	PSR3-600-70	1SFA896 103 R7000	0.450
1.5	3	4	6.8	PSR6-600-70	1SFA896 104 R7000	0.450
2.2	4	4	9	PSR9-600-70	1SFA896 105 R7000	0.450
3	5.5	5.5	12	PSR12-600-70	1SFA896 106 R7000	0.450
4	7.5	7.5	16	PSR16-600-70	1SFA896 107 R7000	0.450
5.5	11	15	25	PSR25-600-70	1SFA896 108 R7000	0.650
7.5	15	18.5	30	PSR30-600-70	1SFA896 109 R7000	0.650
7.5	18.5	22	37	PSR37-600-70	1SFA896 110 R7000	1.000
11	22	30	45	PSR45-600-70	1SFA896 111 R7000	1.000
15	30	37	60	PSR60-600-70	1SFA896 112 R7000	2.200
22	37	45	72	PSR72-600-70	1SFA896 113 R7000	2.270
22	45	55	85	PSR85-600-70	1SFA896 114 R7000	2.270
30	55	55	105	PSR105-600-70	1SFA896 115 R7000	2.270



Rated operational voltage U_e , 208-600 V AC

Rated control supply voltage, U_c , 24 V DC

0.75	1.5	2.2	3.9	PSR3-600-81	1SFA896 103 R8100	0.450
1.5	3	4	6.8	PSR6-600-81	1SFA896 104 R8100	0.450
2.2	4	4	9	PSR9-600-81	1SFA896 105 R8100	0.450
3	5.5	5.5	12	PSR12-600-81	1SFA896 106 R8100	0.450
4	7.5	7.5	16	PSR16-600-81	1SFA896 107 R8100	0.450
5.5	11	15	25	PSR25-600-81	1SFA896 108 R8100	0.650
7.5	15	18.5	30	PSR30-600-81	1SFA896 109 R8100	0.650
7.5	18.5	22	37	PSR37-600-81	1SFA896 110 R8100	1.000
11	22	30	45	PSR45-600-81	1SFA896 111 R8100	1.000
15	30	37	60	PSR60-600-81	1SFA896 112 R8100	2.200
22	37	45	72	PSR72-600-81	1SFA896 113 R8100	2.270
22	45	55	85	PSR85-600-81	1SFA896 114 R8100	2.270
30	55	55	105	PSR105-600-81	1SFA896 115 R8100	2.270

PSR – The compact range

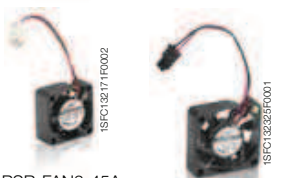
Accessories



PSR16-MS116 PSR30-MS132



PSR45-MS450 PSR105-MS495



PSR-FAN3-45A PSR-FAN60-105A



PS-FBPA

Connection kit

For softstarter type

Type	Order code	Pack ^{ing} piece	Weight kg 1 piece
PSR16-MS116	1SFA896 211 R1001	1	0.022
PSR25...PSR30 with MS132-12...MS132-32	1SFA896 212 R1001	1	0.040
PSR37...PSR45 with MS450	1SFA896 213 R1001	1	0.034
PSR60...PSR105 with MS495	1SAM501 903 R1001	1	0.050

Fan

For softstarter type

Type	Order code	Pack ^{ing} piece	Weight kg 1 piece
PSR3...PSR45	PSR-FAN3-45A 1SFA896 311 R1001	1	0.010
PSR60...PSR105	PSR-FAN60-105A 1SFA896 313 R1001	1	0.013

Terminal enlargements

For softstarter type

Type	Order code	Pack ^{ing} piece	Weight kg 1 piece
PSR60...105 Wire range mm ² 1x10...50, 2x10...25	PSLW-72 1SFA899 002 R1072	1	0.150

FieldBus plug connection accessory

For softstarter type

Type	Order code	Pack ^{ing} piece	Weight kg 1 piece
The same accessory for all sizes	PS-FBPA 1SFA896 312 R1002	1	0.060

ABB Field Bus Plug suitable for all sizes. See page 50-53

Connection kit

Thermal motor
overload protection

Short circuit
protection

Connection
device

Isolating function

Softstarter providing
excellent start and stop



PSR – The compact range

Technical data

Rated insulation voltage U_i	600 V												
Rated operational voltage U_o	208...600 V +10 %/-15 %, 50/60 Hz ± 5 %												
Rated control supply voltage U_c	100...240 V AC, 50/60Hz ± 5 % or 24 V DC, +10 %/-15 %.												
Power consumption	PSR3	PSR6	PSR9	PSR12	PSR16	PSR25	PSR30	PSR37	PSR45	PSR60	PSR72	PSR85	PSR105
Supply circuit	12 VA						10 VA						
at 100-240 V AC	12 VA						10 VA						
at 24 V DC	5 W												
Max. Power loss at rated I_a	PSR3	PSR6	PSR9	PSR12	PSR16	PSR25	PSR30	PSR37	PSR45	PSR60	PSR72	PSR85	PSR105
	0.7 W	2.9 W	6.5 W	11.5 W	20.5 W	25 W	36 W	5.5 W	8.1 W	3.6 W	5.2 W	7.2 W	6.6 W
Starting capacity at I_a	4 x I_e for 6 sec.												
Number of starts per hour	See table below for details												
standard	10 ¹⁾												
with aux. fan	20 ¹⁾												
Service factor	100 %												
Ambient temperature													
during operation	-25 °C to + 60 °C ²⁾												
during storage	-40 °C to + 70 °C												
Maximum altitude	4000 m ³⁾												
Degree of protection	PSR3	PSR6	PSR9	PSR12	PSR16	PSR25	PSR30	PSR37	PSR45	PSR60	PSR72	PSR85	PSR105
main circuit	IP20						IP10						
control circuit	IP20												
Connectable cable area,	PSR3-PSR16			PSR25-PSR30			PSR37-PSR45			PSR60-PSR105			
main circuit	1 x 0.75 - 2.5mm ²			1 x 2.5 - 10mm ²			1 x 6 - 35mm ²			1 x 10 - 95mm ²			
	2 x 0.75 - 2.5mm ²			2 x 2.5 - 10mm ²			2 x 6 - 16mm ²			2 x 6 - 35mm ²			
control circuit	PSR3-PSR16			PSR25-PSR105			PSR25-PSR105			PSR25-PSR105			
	1 x 0.75 - 2.5mm ²			1 x 0.75 - 2.5mm ²			1 x 0.75 - 2.5mm ²			2 x 0.75 - 1.5mm ²			
	2 x 0.75 - 2.5mm ²			2 x 0.75 - 2.5mm ²			2 x 0.75 - 1.5mm ²			2 x 0.75 - 1.5mm ²			
Signal relays	PSR3-PSR16						PSR25-PSR105						
for Run signal													
Resistive load	240 V AC, 3 A / 24 V DC, 3 A						240 V AC, 3 A / 24 V DC, 3 A						
AC-15 (Contactor)	240 V AC, 0.5 A / 24 V DC, 0.5 A						240 V AC, 0.5 A / 24 V DC, 0.5 A						
for Top ramp signal													
Resistive load							240 V AC, 3 A / 24 V DC, 3 A						
AC-15 (Contactor)							240 V AC, 0.5 A / 24 V DC, 0.5 A						
LED													
for On/Ready	Green												
for Run/Top Of Ramp	Green												
Settings													
Ramp time during start	1-20 sec.												
Ramp time during stop	0-20 sec.												
Initial- and End Voltage	40-70%												

¹⁾ Valid for 50 % on time and 50 % off time. 4 x I_a for 6 sec., if other data is required, contact your sales office.

²⁾ Above 40 °C up to max. 60 °C reduce the rated current with 0.8 % per °C.

³⁾ When used at high altitudes above 1000 meters up to 4000 meters you need to derate the rated current using the following formula.

$$[\% \text{ of } I_a = 100 - \frac{x - 1000}{150}] \quad x = \text{actual altitude for the softstarter}$$

Number of starts per hour using PSR softstarters

Motor current I_a

Starts/hour without auxiliary fan

	10	20	30	40	50	60	80	100
3 A	PSR3							PSR6
6 A	PSR6			PSR9				
9 A	PSR9		PSR12			PSR16	PSR25	
12 A	PSR12		PSR16	PSR25		PSR30		
16 A	PSR16	PSR25		PSR30		PSR37		
25 A	PSR25	PSR30	PSR37		PSR45		PSR60	
30 A	PSR30	PSR37		PSR45		PSR60		PSR72
37 A	PSR37	PSR45		PSR60		PSR72	PSR85	PSR105
45 A	PSR45		PSR60		PSR72	PSR85	PSR105	-
60 A	PSR60		PSR72	PSR85	PSR105		-	-
72 A	PSR72	PSR85	PSR105		-			-
85 A	PSR85		PSR105		-			-
105 A	PSR105		-					-

Starts/hour with auxiliary fan

	10	20	30	40	50	60	80	100
	PSR3							
	PSR6			PSR9				
	PSR9		PSR12			PSR12		
	PSR12		PSR16	PSR25		PSR16	PSR25	
	PSR16	PSR25		PSR30		PSR30		
	PSR25	PSR30	PSR37		PSR37		PSR45	
	PSR30	PSR37		PSR45		PSR45		
	PSR37	PSR45		PSR60		PSR60		
	PSR45		PSR60		PSR60		PSR72	
	PSR60		PSR72	PSR85	PSR105		-	
	PSR72	PSR85	PSR105		-			-
	PSR85		PSR105		-			-
	PSR105		-					-

Data based on an ambient temperature of 40°, starting current of 4 x I_a and ramp time 6 seconds.

For more optimized selections, or to use PSR for heavy duty starts, please use the softstarter selection program, ProSoft.

PSR – The compact range

UL ratings

UL ratings

Softstarter	Motor power P (hp) and full load current FLA (A)					Max. fuse A, Type
	Max FLA A	U _e 200 V/208 V hp	U _e 220 V/240 V hp	U _e 440 V/480 V hp	U _e 550 V/600 V hp	
Type						A, Type
PSR3	3.4	0.5	0.75	2	2	35 A J-Type
PSR6	6.1	1	1.5	3	5	35 A J-Type
PSR9	9	2	2	5	7.5	35 A J-Type
PSR12	11	3	3	7.5	10	35 A J-Type
PSR16	15.2	3	5	10	10	35 A J-Type
PSR25	24.2	7.5	7.5	15	20	60 A J-Type
PSR30	28	7.5	10	20	25	60 A J-Type
PSR37	34	10	10	25	30	90 A J-Type
PSR45	46.2	15	15	30	40	90 A J-Type
PSR60	59.4	20	20	40	50	110 A J-Type
PSR72	68	20	25	50	60	125 A J-Type
PSR85	80	25	30	60	75	150 A J-Type
PSR105	104	30	40	75	100	200 A J-Type



PSS – The flexible range

Description



Product description

- Rated operational voltage 208 – 690 V AC
- Rated control supply voltage 110 – 120 V AC or 220 – 240 V AC
- Rated operational current 18 – 300 A (Up to 515 A Inside Delta)
- Wide ambient temperature range, -25 to +60 °C
- Settings done by rotating switches
- Designed for continuous operation without by-pass
- By-pass signal relay allowing easy control of external by-pass contactor
- Fault signal relay (NO or NC)
- Current limit function as an option

The PSS softstarter allows both in line and inside delta connection making it a very flexible option. It is the ideal solution when looking for a robust solid state starting solution when for instance many starts per hour are required.

Flexible connection

The PSS softstarter can be connected both in line and inside delta. The inside delta connection makes it possible to select a smaller size softstarter matching the inside delta current. All functionality will still remain the same.

Replacement for star delta starters

As the PSS can be connected inside delta, it is very cost efficient for replacing existing star delta starters, by reusing the two sets of motor cables as well as the contactors and thermal overload.

Solid state starting solution

The robust design of the PSS softstarter has no mechanical moving parts and it is dimensioned to handle many starts per hour, which can be required in for instance elevator applications.

Few settings

The set-up of the PSS softstarter is easily done using the three rotating switches to adjust the start and stop and the dip switch to select between in line or inside delta connection. This will also give a quick and easy overview of the used settings.

Possible to use current limit

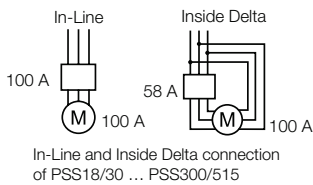
Using an external current transformer will make it possible to activate the current limit function. This will allow you to keep the current at a pre-set level also when starting heavy duty applications.

PSS – The flexible range

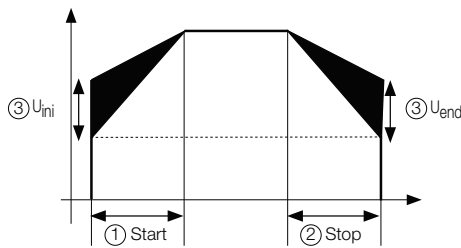
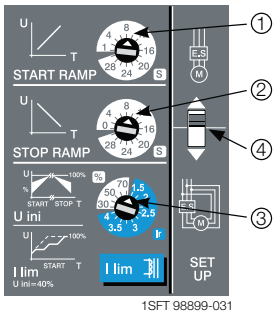
Description

The PSS Softstarter can be selected according to the rated motor power in normal duty applications like pumps, compressors, elevators, escalators, short conveyor belts and bow thrusters. See page 18-19.

For heavy duty applications like centrifugal fans, crushers, mixers, mills, stirrers and long conveyor belts, select a softstarter from page 20-21.



Settings



- ① Ramp time START = 1 ... 30 sec
- ② Ramp time STOP = 0 ... 30 sec
- Initial voltage U_{ini} and end voltage = 40 ... 70 %
- ③ Level of current limit = 1.5 ... $4xI_n$.
When current limit is used, initial voltage and end voltage is fixed at 40 %
- ④ Switch for In-line or Inside Delta connection

PSS – The flexible range

Overview



	PSS18/30...PSS44/76				PSS50/85...PSS72/124		
	Softstarter. Type						
Normal start	PSS18/30	PSS30/52	PSS37/64	PSS44/76	PSS50/85	PSS60/105	PSS72/124
In-line connected							
(400 V) kW	7.5	15	18.5	22	25	30	37
IEC, Max. A	18	30	37	44	50	60	72
(440-480 V) hp	10	20	25	30	30	40	50
UL, Max FLA	18	28	34	40	47	56	67
	400 V, 40° C						
Using MCCB type 1 coordination will be achieved	MCCB (50kA), type						
	T2S160						
	Fuse protection (65kA), Semi-conductor fuses, Bussmann, type						
To achieve type 2 coordination semi-conductor fuses must be used	170M1564	170M1566	170M1568	170M1569	170M1570	170M1571	
	Switch fuse, type						
Suitable switch fuse for the recommended semi-conductor fuses	OS32GD03P		OS63GD03P			OS125GD03P	
	Thermal overload relay, type						
Overload protection is used to protect the motor from over heating	TF42DU			TA75DU			
	Line contactor, type						
The line contactor is not required for the softstarter itself but often used to open if OL trips	AF16	AF30	AF38	A50	A63	A75	
	By-pass contactor, type						
The by-pass contactor will reduce the power loss of the softstarter. All softstarters can be operated without by-pass	AF9	AF16	AF26	AF30	A40	A50	
	Current transformers, type						
Must be used if current limit function is required	PSCT-30 1 turn	PSCT-40 1 turn	PSCT-50 1 turn	PSCT-60 1 turn	PSCT-75 1 turn	PSCT-100 1 turn	

A50 ... A300 might be replaced by AF50 ... AF300
 The table above is an overview of possible combinations of devices.
 Complete coordination tables are available at www.abb.com/lowvoltage

PSS – The flexible range

Overview




	PSS85/147...PSS142/245			PSS175/300...PSS300/515			
	Softstarter. Type						
Normal start In-line connected	PSS85/147	PSS105/181	PSS142/245	PSS175/300	PSS250/430	PSS300/515	
	(400 V) kW	45	55	75	90	132	160
	IEC, Max. A	85	105	142	175	250	300
	(440-480 V) hp	60	75	100	125	150	200
UL, Max FLA	85	105	125	156	225	248	
	400 V, 40 °C						
Using MCCB type 1 coordination will be achieved	MCCB (50kA), type						
	T2S160		T3S250		T4S320	T5S400	
To achieve type 2 coordination semi-conductor fuses must be used	Fuse protection (65kA), Semiconductor fuses, Bussmann, type						
	170M1572	170M3819	170M5809	170M5810	170M5813	170M6813	
Suitable switch fuse for the recommended semi-conductor fuses	Switch fuse, type						
	OS125GD03P	OS250D03P		OS400D03P		OS630D03P	
Overload protection is used to protect the motor from over heating	Thermal overload relay, type						
	TA110DU		TA200DU		TA450DU		
The line contactor is not required for the softstarter itself but often used to open if OL trips	Line contactor, type						
	A95	A110	A145	A185	A260	A300	
The by-pass contactor will reduce the power loss of the softstarter. All softstarters can be operated without by-pass	By-pass contactor, type						
	A50	A63	A95	A145		A210	
Must be used if current limit function is required	Current transformers, type						
	PSCT-125 1 turn	PSCT-150 1 turn	PSCT200 1 turn	PSCT-250 1 turn		PSCT-400 1 turn	

How to select correct size

By using the guide here, you can quickly select a suitable softstarter for the most common applications.

If a more precise selection is required, you can use Prosoft, a selection software available at www.abb.com/lowvoltage

Quick guide for selection		
Normal start Class 10	Heavy duty start class 30	
Ordering - see page 18 - 19	Ordering - see page 20 - 21	
Typical applications		
<ul style="list-style-type: none"> • Bow thruster • Compressor • Elevator 	<ul style="list-style-type: none"> • Centrifugal pump • Conveyor belt (short) • Escalator 	<ul style="list-style-type: none"> • Centrifugal fan • Crusher • Mixer • Conveyor belt (long) • Mill • Stirrer
! If more than 10 starts/h Select one size larger than the standard selection		

PSS – The flexible range

Normal starts, class 10, In-Line, ordering details



PSS18/30 ... PSS300/515

Rated operational voltage, U_g , 208 - 500 V

Motor power

400 V P kW	500 V P kW	690 V P kW	IEC Max rated operational current I_n A	Type*)	Order code**)	Weight kg 1 piece
7.5	11	-	18	PSS18/30-500□■	1SFA892 001 R▽00▼	2.30
15	18.5	-	30	PSS30/52-500□■	1SFA892 002 R▽00▼	2.30
18.5	22	-	37	PSS37/64-500□■	1SFA892 003 R▽00▼	2.30
22	25	-	44	PSS44/76-500□■	1SFA892 004 R▽00▼	2.30
25	30	-	50	PSS50/85-500□■	1SFA892 005 R▽00▼	3.60
30	37	-	60	PSS60/105-500□■	1SFA892 006 R▽00▼	3.80
37	45	-	72	PSS72/124-500□■	1SFA892 007 R▽00▼	3.80
45	55	-	85	PSS85/147-500□■	1SFA892 008 R▽00▼	8.60
55	75	-	105	PSS105/181-500□■	1SFA892 009 R▽00▼	10.40
75	90	-	142	PSS142/245-500□■	1SFA892 010 R▽00▼	10.40
90	110	-	175	PSS175/300-500□■	1SFA892 011 R▽00▼	20.50
132	160	-	250	PSS250/430-500□■	1SFA892 013 R▽00▼	22.00
160	200	-	300	PSS300/515-500□■	1SFA892 014 R▽00▼	22.00



PSS18/30-500 ... 44/76-500



PSS50/85-500 ... 72/124-500
PSS18/30-690 ... 72/124-690

Rated operational voltage, U_g , 400 - 690 V

7.5	11	15	18	PSS18/30-690□■	1SFA893 001 R▽00▼	2.30
15	18.5	25	30	PSS30/52-690□■	1SFA893 002 R▽00▼	2.30
18.5	22	30	37	PSS37/64-690□■	1SFA893 003 R▽00▼	2.30
22	25	37	44	PSS44/76-690□■	1SFA893 004 R▽00▼	2.30
25	30	45	50	PSS50/85-690□■	1SFA893 005 R▽00▼	3.60
30	37	55	60	PSS60/105-690□■	1SFA893 006 R▽00▼	3.80
37	45	59	72	PSS72/124-690□■	1SFA893 007 R▽00▼	3.80
45	55	75	85	PSS85/147-690□■	1SFA893 008 R▽00▼	8.60
55	75	90	105	PSS105/181-690□■	1SFA893 009 R▽00▼	10.40
75	90	132	142	PSS142/245-690□■	1SFA893 010 R▽00▼	10.40
90	110	160	175	PSS175/300-690□■	1SFA893 011 R▽00▼	20.50
132	160	220	250	PSS250/430-690□■	1SFA893 013 R▽00▼	22.00
160	200	257	300	PSS300/515-690□■	1SFA893 014 R▽00▼	22.00



PSS85/147-500 ... 142/245-500
PSS85/147-690 ... 142/245-690



PSS175/300-500 ... 300/515-500
PSS175/300-690 ... 300/515-690

*) Add code letter in Type for:
Rated control supply voltage, U_s

□ F = 110-120 V, 50/60 Hz
L = 220-240 V, 50/60 Hz

Fault signal relay

■ no code letter = NO
C = NC

**) Add code number in Order code for:
Fault signal relay

▽ 1 = NO
2 = NC

Rated control supply voltage, U_s

▽ 1 = 110-120 V, 50/60 Hz
2 = 220-240 V, 50/60 Hz

PSS – The flexible range

Normal starts, class 10, Inside Delta, ordering details



PSS18/30 ... PSS300/515

Rated operational voltage, U_e , 208 - 500 V

Motor power



400 V P kW	500 V P kW	690 V P kW	IEC Max rated operational current I_n A	Type*)	Order code**)	Weight kg 1 piece
15	18.5	-	30	PSS18/30-500□■	1SFA892 001 R▽00▼	2.30
25	30	-	52	PSS30/52-500□■	1SFA892 002 R▽00▼	2.30
30	37	-	64	PSS37/64-500□■	1SFA892 003 R▽00▼	2.30
37	45	-	76	PSS44/76-500□■	1SFA892 004 R▽00▼	2.30
45	55	-	85	PSS50/85-500□■	1SFA892 005 R▽00▼	3.60
55	75	-	105	PSS60/105-500□■	1SFA892 006 R▽00▼	3.80
59	80	-	124	PSS72/124-500□■	1SFA892 007 R▽00▼	3.80
75	90	-	147	PSS85/147-500□■	1SFA892 008 R▽00▼	8.60
90	110	-	181	PSS105/181-500□■	1SFA892 009 R▽00▼	10.40
132	160	-	245	PSS142/245-500□■	1SFA892 010 R▽00▼	10.40
160	200	-	300	PSS175/300-500□■	1SFA892 011 R▽00▼	20.50
220	295	-	430	PSS250/430-500□■	1SFA892 013 R▽00▼	22.00
257	355	-	515	PSS300/515-500□■	1SFA892 014 R▽00▼	22.00

Rated operational voltage, U_e , 400 - 690 V

400 V P kW	500 V P kW	690 V P kW	IEC Max rated operational current I_n A	Type*)	Order code**)	Weight kg 1 piece
15	18.5	25	30	PSS18/30-690□■	1SFA893 001 R▽00▼	2.30
25	30	45	52	PSS30/52-690□■	1SFA893 002 R▽00▼	2.30
30	37	55	64	PSS37/64-690□■	1SFA893 003 R▽00▼	2.30
37	45	59	76	PSS44/76-690□■	1SFA893 004 R▽00▼	2.30
45	55	75	85	PSS50/85-690□■	1SFA893 005 R▽00▼	3.60
55	75	90	105	PSS60/105-690□■	1SFA893 006 R▽00▼	3.80
59	80	110	124	PSS72/124-690□■	1SFA893 007 R▽00▼	3.80
75	90	132	147	PSS85/147-690□■	1SFA893 008 R▽00▼	8.60
90	110	160	181	PSS105/181-690□■	1SFA893 009 R▽00▼	10.40
132	160	220	245	PSS142/245-690□■	1SFA893 010 R▽00▼	10.40
160	200	257	300	PSS175/300-690□■	1SFA893 011 R▽00▼	20.50
220	295	400	430	PSS250/430-690□■	1SFA893 013 R▽00▼	22.00
257	355	500	515	PSS300/515-690□■	1SFA893 014 R▽00▼	22.00

*) Add code letter in Type for:
Rated control supply voltage, U_c

□ F = 110-120 V, 50/60 Hz
L = 220-240 V, 50/60 Hz

Fault signal relay

■ no code letter = NO
C = NC

**) Add code number in Order code for:
Fault signal relay

▽ 1 = NO
2 = NC

Rated control supply voltage, U_c

▼ 1 = 110-120 V, 50/60 Hz
2 = 220-240 V, 50/60 Hz

PSS – The flexible range

Heavy duty starts, class 30, In-Line, ordering details



PSS18/30 ... PSS300/515

Rated operational voltage, U_e , 208 - 500 V

Motor power

400 V P_e kW	500 V P_e kW	690 V P_e kW	IEC Max rated operational current I_e A	Type ^{*)}	Order code ^{**)}	Weight kg 1 piece
5.5	7.5	-	13	PSS18/30-500 □ ■	1SFA892 001 R ▽ 00 ▼	2.30
7.5	11	-	18	PSS30/52-500 □ ■	1SFA892 002 R ▽ 00 ▼	2.30
15	18.5	-	30	PSS37/64-500 □ ■	1SFA892 003 R ▽ 00 ▼	2.30
18.5	22	-	37	PSS44/76-500 □ ■	1SFA892 004 R ▽ 00 ▼	2.30
22	25	-	44	PSS50/85-500 □ ■	1SFA892 005 R ▽ 00 ▼	3.60
25	30	-	50	PSS60/105-500 □ ■	1SFA892 006 R ▽ 00 ▼	3.80
30	37	-	60	PSS72/124-500 □ ■	1SFA892 007 R ▽ 00 ▼	3.80
37	45	-	72	PSS85/147-500 □ ■	1SFA892 008 R ▽ 00 ▼	8.60
45	55	-	85	PSS105/181-500 □ ■	1SFA892 009 R ▽ 00 ▼	10.40
55	75	-	105	PSS142/245-500 □ ■	1SFA892 010 R ▽ 00 ▼	10.40
75	90	-	142	PSS175/300-500 □ ■	1SFA892 011 R ▽ 00 ▼	20.50
90	110	-	175	PSS250/430-500 □ ■	1SFA892 013 R ▽ 00 ▼	22.00
132	160	-	250	PSS300/515-500 □ ■	1SFA892 014 R ▽ 00 ▼	22.00



PSS18/30-500 ... 44/76-500



PSS50/85-500 ... 72/124-500
PSS18/30-690 ... 72/124-690



PSS85/147-500 ... 142/245-500
PSS85/147-690 ... 142/245-690



PSS175/300-500 ... 300/515-500
PSS175/300-690 ... 300/515-690

Rated operational voltage, U_e , 400 - 690 V

5.5	7.5	11	13	PSS18/30-690 □ ■	1SFA893 001 R ▽ 00 ▼	2.30
7.5	11	15	18	PSS30/52-690 □ ■	1SFA893 002 R ▽ 00 ▼	2.30
15	18.5	25	30	PSS37/64-690 □ ■	1SFA893 003 R ▽ 00 ▼	2.30
18.5	22	30	37	PSS44/76-690 □ ■	1SFA893 004 R ▽ 00 ▼	2.30
22	25	37	44	PSS50/85-690 □ ■	1SFA893 005 R ▽ 00 ▼	3.60
25	30	45	50	PSS60/105-690 □ ■	1SFA893 006 R ▽ 00 ▼	3.80
30	37	55	60	PSS72/124-690 □ ■	1SFA893 007 R ▽ 00 ▼	3.80
37	45	59	72	PSS85/147-690 □ ■	1SFA893 008 R ▽ 00 ▼	8.60
45	55	75	85	PSS105/181-690 □ ■	1SFA893 009 R ▽ 00 ▼	10.40
55	75	90	105	PSS142/245-690 □ ■	1SFA893 010 R ▽ 00 ▼	10.40
75	90	132	142	PSS175/300-690 □ ■	1SFA893 011 R ▽ 00 ▼	20.50
90	110	160	175	PSS250/430-690 □ ■	1SFA893 013 R ▽ 00 ▼	22.00
132	160	220	250	PSS300/515-690 □ ■	1SFA893 014 R ▽ 00 ▼	22.00

^{*)} Add code letter in Type for:
Rated control supply voltage, U_c
□ F = 110-120 V, 50/60 Hz
L = 220-240 V, 50/60 Hz
Fault signal relay
■ no code letter = NO
C = NC

^{**)} Add code number in Order code for:
Fault signal relay
▽ 1 = NO
2 = NC
Rated control supply voltage, U_c
▼ 1 = 110-120 V, 50/60 Hz
2 = 220-240 V, 50/60 Hz

PSS – The flexible range

Heavy duty starts, class 30, Inside Delta, ordering details



PSS18/30 ... PSS300/515

Rated operational voltage, U_e , 208 - 500 V

Motor power



1SFC13201F0001

PSS18/30-500 ... 44/76-500



1SFC13202F0001

PSS50/85-500 ... 72/124-500
PSS18/30-690 ... 72/124-690

400 V P kW	500 V P kW	690 V P kW	IEC Max rated operational current I_e A	Type ^{*)}	Order code ^{**)}	Weight kg 1 piece
11	15	-	22	PSS18/30-500□■	1SFA892 001 R▽00▼	2.30
15	18.5	-	30	PSS30/52-500□■	1SFA892 002 R▽00▼	2.30
25	30	-	52	PSS37/64-500□■	1SFA892 003 R▽00▼	2.30
30	37	-	64	PSS44/76-500□■	1SFA892 004 R▽00▼	2.30
37	45	-	76	PSS50/85-500□■	1SFA892 005 R▽00▼	3.60
45	55	-	85	PSS60/105-500□■	1SFA892 006 R▽00▼	3.80
55	75	-	105	PSS72/124-500□■	1SFA892 007 R▽00▼	3.80
59	80	-	124	PSS85/147-500□■	1SFA892 008 R▽00▼	8.60
75	90	-	147	PSS105/181-500□■	1SFA892 009 R▽00▼	10.40
90	110	-	181	PSS142/245-500□■	1SFA892 010 R▽00▼	10.40
132	160	-	245	PSS175/300-500□■	1SFA892 011 R▽00▼	20.50
160	200	-	300	PSS250/430-500□■	1SFA892 013 R▽00▼	22.00
220	295	-	430	PSS300/515-500□■	1SFA892 014 R▽00▼	22.00

Rated operational voltage, U_e , 400 - 690 V



1SFC13203F0001

PSS85/147-500 ... 142/245-500
PSS85/147-690 ... 142/245-690



1SFC13204F0001

PSS175/300-500 ... 300/515-500
PSS175/300-690 ... 300/515-690

400 V P kW	500 V P kW	690 V P kW	IEC Max rated operational current I_e A	Type ^{*)}	Order code ^{**)}	Weight kg 1 piece
11	15	18.5	22	PSS18/30-690□■	1SFA893 001 R▽00▼	2.30
15	18.5	25	30	PSS30/52-690□■	1SFA893 002 R▽00▼	2.30
25	30	45	52	PSS37/64-690□■	1SFA893 003 R▽00▼	2.30
30	37	55	64	PSS44/76-690□■	1SFA893 004 R▽00▼	2.30
37	45	59	76	PSS50/85-690□■	1SFA893 005 R▽00▼	3.60
45	55	75	85	PSS60/105-690□■	1SFA893 006 R▽00▼	3.80
55	75	90	105	PSS72/124-690□■	1SFA893 007 R▽00▼	3.80
59	80	110	124	PSS85/147-690□■	1SFA893 008 R▽00▼	8.60
75	90	132	147	PSS105/181-690□■	1SFA893 009 R▽00▼	10.40
90	110	160	181	PSS142/245-690□■	1SFA893 010 R▽00▼	10.40
132	160	220	245	PSS175/300-690□■	1SFA893 011 R▽00▼	20.50
160	200	257	300	PSS250/430-690□■	1SFA893 013 R▽00▼	22.00
220	295	400	430	PSS300/515-690□■	1SFA893 014 R▽00▼	22.00

^{*)} Add code letter in Type for:
Rated control supply voltage, U_c
□ F = 110-120 V, 50/60 Hz
L = 220-240 V, 50/60 Hz
Fault signal relay
■ no code letter = NO
C = NC

^{**)} Add code number in Order code for:
Fault signal relay
▽ 1 = NO
2 = NC
Rated control supply voltage, U_c
▼ 1 = 110-120 V, 50/60 Hz
2 = 220-240 V, 50/60 Hz

PSS – The flexible range

Accessories

Current transformer for current limit function

To be connected to terminals 11 and 12 on the softstarter.

The setting range (1.5 – 4) corresponds to a multiple of the transformer ratio.

Technical data below shows transformer ratio and number of turns for the primary winding.

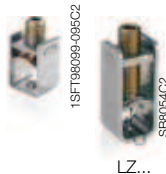
You can also use your own current transformer with corresponding transformer ratio and with minimum 1 VA.



1SFC13222P0001

PSCT-30

For softstarter type	Transformer ratio, Number of turns	Type	Order code	Pack ^{ing} piece	Weight kg 1 piece
PSS18/30	30/1 – 1 turn	PSCT-30	1SFA 899 001 R1030	1	0.200
PSS30/52	40/1 – 1 turn	PSCT-40	1SFA 899 001 R1040	1	0.200
PSS37/64	50/1 – 1 turn	PSCT-50	1SFA 899 001 R1050	1	0.200
PSS44/76	60/1 – 1 turn	PSCT-60	1SFA 899 001 R1060	1	0.200
PSS50/85	75/1 – 1 turn	PSCT-75	1SFA 899 001 R1075	1	0.200
PSS60/105	75/1 – 1 turn	PSCT-75	1SFA 899 001 R1075	1	0.200
PSS72/124	100/1 – 1 turn	PSCT-100	1SFA 899 001 R1100	1	0.150
PSS85/147	125/1 – 1 turn	PSCT-125	1SFA 899 001 R1125	1	0.150
PSS105/181	150/1 – 1 turn	PSCT-150	1SFA 899 001 R1150	1	0.150
PSS142/245	200/1 – 1 turn	PSCT-200	1SFA 899 001 R1200	1	0.230
PSS175/300	250/1 – 1 turn	PSCT-250	1SFA 899 001 R1250	1	0.230
PSS250/430	400/1 – 1 turn	PSCT-400	1SFA 899 001 R1400	1	0.200
PSS300/515	400/1 – 1 turn	PSCT-400	1SFA 899 001 R1400	1	0.200



LZ...

Cable connectors for Cu cables

For softstarter type	Wire range mm ²	Tightening torque max. Nm	Type	Order code	Pack ^{ing} piece	Weight kg 1 piece
PSS85/147 ... 142/245	6-185	16	–	1SDA023 354 R0001	3	0.200
PSS85/147 ... 142/245	2 x (50-120)	16	LZ185-2C/120	1SFN074 709 R1000	3	0.300
PSS175/300 ... 300/515	16-240	25	–	1SDA023 368 R0001	3	0.400



1SFT98099-011C1

Cable connectors for Al and Cu cables

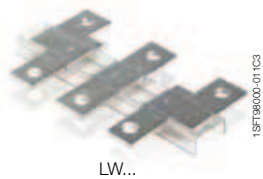
For softstarter type	Wire range mm ²	Tightening torque max. Nm	Type	Order code	Pack ^{ing} piece	Weight kg 1 piece
PSS85/147 ... 142/245	35-95	13.5	–	1SDA023 356 R0001	3	0.100
PSS85/147 ... 142/245	25-150	31	–	1SDA023 357 R0001	3	0.100
PSS175/300 ... 300/515	120-240	43	–	1SDA023 370 R0001	3	0.100



PSLW-44

Terminal enlargements

For softstarter type	Wire range mm ²	Type	Order code	Pack ^{ing} piece	Weight kg 1 piece
PSS18/30-500 ... 44/76-500	1x6 ... 35 2x6 ... 16	PSLW-44	1SFA899 002 R1044	1	0.100
PSS50/85-500 ... 72/124-500	1x10 ... 50	PSLW-72	1SFA899 002 R1072	1	0.150
PSS18/30-690 ... 72/124-690	2x10 ... 25				



LW...

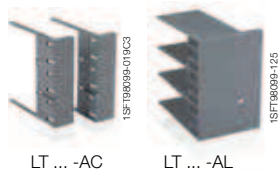
For softstarter type	Dimensions hole ø mm ²	bar mm	Type	Order code	Pack ^{ing} piece	Weight kg 1 piece
PSS85/147 ... 142/245	10.5	17.5 x 5	LW185	1SFN074 707 R1000	1	0.250
PSS175/300 ... 300/515	10.5	20 x 5	LW300	1SFN075 107 R1000	1	0.450



LE185

Terminal nut washer

For softstarter type	Req. qty	Type	Order code	Pack ^{ing} piece	Weight kg 1 piece
PSS85/147 ... 142/245	2	LE185	1SFN074 716 R1000	2	0.200
PSS175/300 ... 300/515	2	LE300	1SFN075 116 R1000	2	0.300



LT ... -AC

LT ... -AL

Terminal shrouds

For softstarter type	Suitable for	Req. qty	Type	Order code	Pack ^{ing} piece	Weight kg 1 piece
PSS85/147 ... 142/245	Cable connectors	2	LT185-AC	1SFN124 701 R1000	2	0.050
PSS85/147 ... 142/245	Compression lugs	2	LT185-AL	1SFN124 703 R1000	2	0.220
PSS175/300 ... 300/515	Cable connectors	2	LT300-AC	1SFN125 101 R1000	2	0.070
PSS175/300 ... 300/515	Compression lugs	2	LT300-AL	1SFN125 103 R1000	2	0.280

PSS – The flexible range

Technical data

Rated insulation voltage U_i	690 V		
Rated operational voltage U_o	208 ... 500 V AC, 400 ... 690 V AC + 10 % / -15 %, 50/60 Hz ± 5 %		
Rated control supply voltage U_s	110 ... 120 V or 220 ... 240 V +10 % / -15 %, 50/60 Hz ± 5 %		
Rated control circuit voltage U_c	Internal 24 V DC		
Starting capacity at I_o	at max. rated current, I_o 4 x I_o for 10 sec.		
Number of starts per hour	30 ¹⁾		
Overload capability	Overload class 10		
Service factor	PSS18/30 ... 250/430		PSS300/515
	115 %		110 %
Ambient temperature	during operation -25 °C to + 60 °C ²⁾		
	during storage -40 °C to + 70 °C		
Maximum altitude	4000 m ³⁾		
Degree of protection	PSS18/30-500 ... 44/76-500	PSS50/85-500 ... 72/124-500	PSS85/147-500 ... 300/515-500
Main circuit	IP20	IP10	IP00
	PSS18/30-690 ... 72/124-690		PSS85/147-690 ... 300/515-690
	IP10		IP00
Supply and control circuit	PSS18/30 ... PSS300/515		
	IP20		
Signal relays	By-pass signal Yes		
	Fault signal Yes (NO or NC)		
	Rated operational voltage, U_o 250 V AC / 24 V DC		
	Rated thermal current I_o 5A		
	Rated operational current I_o at AC-15 ($U_o=250$ V) 1.5 A		
Signaling indication LED	Ready to start / ON Green		
	Completed start ramp / T.O.R Green		
	General fault Red		
	External fault Red		
Settings	Ramp time during start 1 – 30 sec		
	Ramp time during stop 0 – 30 sec		
	Initial voltage during start 30 – 70 %		
	Current limit function x CT-ratio 1.5 ... ⁴⁾		
	Switch for In-line / Inside Delta Yes		

¹⁾ Valid for 50 % on time and 50 % off time. $3.5 \times I_o$ for 7 sec., if other data is required, contact your sales office.

²⁾ Above 40 °C up to max. 60 °C reduce the rated current with 0.8 % per °C.

³⁾ When used at high altitudes above 1000 meters up to 4000 meters you need to derate the rated current using the following formula.

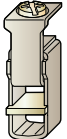
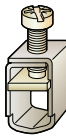
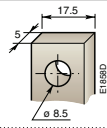
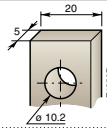
[% of I_o = $100 - \frac{x-1000}{150}$] x = actual altitude for the softstarter

⁴⁾ Only if current transformer is connected (accessory).

PSS – The flexible range

Technical data

Cross section of connection cables

		Type of softstarter		PSS18/30-500 ... PSS44/76-500	PSS50/85-500 ... PSS72/124-500, PSS18/30-690 ... PSS72/124-690	PSS85/147 ... PSS142/245	PSS175/300 ... PSS300/515
Main circuit							
Connection clamp							
Solid/stranded	1 x mm ²	2.5 – 16		6 – 50			See accessories
Solid/stranded	2 x mm ²	2.5 – 16		6 – 25			See accessories
Tightening torque (recommended)	Nm	2.6		4.5			See accessories
Connection bar							
Width and thickness	mm	–		–			
Hole diameter	mm	–		–		18	28
Tightening torque (recommended)	Nm	–		–			
Supply and control circuit							
Connection clamp							
Solid/stranded	1 x mm ²	2.5		2.5		2.5	2.5
Solid/stranded	2 x mm ²	–		–		–	–
Tightening torque (recommended)	Nm	0.5		0.5		0.5	0.5

Fuse ratings and power losses

For Softstarter	Recommended ABB Overload protection		Max power loss at rated I _o		Max fuse rating - main circuit ^{1) 3)}			Power requirements of supply VA
	Type	Current range A	without by-pass ²⁾ W	with external by-pass W	Bussman Fuses, DIN43 620			
Type	Type	A	W	W	A	Type	size	
PSS18/30	TF42DU	7.6 - 18	65	13.5	50	170M1564	000	9
PSS30/52	TF42DU	7.6 - 30	100	14.6	80	170M1566	000	9
PSS37/64	TF42DU	7.6 - 37	120	17.5	125	170M1568	000	9
PSS44/76	TA75DU	18 - 44	142	17.5	160	170M1569	000	9
PSS50/85	TA75DU	18 - 50	160	20.5	160	170M1569	000	10
PSS60/105	TA75DU	18 - 60	190	22	200	170M1570	000	10
PSS72/124	TA75DU	18 - 72	226	30.5	250	170M1571	000	10
PSS85/147	TA110DU	65 - 85	291	56.5	315	170M1572	000	36
PSS105/181	TA110DU	65 - 105	351	61	400	170M3819	1*	36
PSS142/245	TA200DU	66 - 142	462	63	450	170M5809	2	36
PSS175/300	TA200DU	66 - 175	590	117	500	170M5810	2	65
PSS250/430	TA450DU	130 - 250	815	117	700	170M5813	2	65
PSS300/515	TA450DU	130 - 300	965	140	900	170M6813	3	65

¹⁾ For the supply circuit 6 A delayed, for MCB use C characteristics.

²⁾ Calculated power loss at operational current (I_{op}) without by-pass.

P_{tot} = 3 x I_{op} + VA value

Example: PSS 60/105 running at 52A

P_{tot} = 3 x 52 + 10 = 166W

³⁾ Max fuse rating independent if In-Line or Inside Delta connection. In Inside Delta connections of PSS, the fuses can be placed outside of the delta.

PSS – The flexible range

UL ratings

3-phase motor rating – In-Line

Softstarters		Motor power P (hp) and full load current FLA, (A)				
Type	Max. FLA A	U _e 200V / 208V hp	U _e 220V / 240V hp	U _e 440V / 480V hp	U _e 550V / 600V hp	
PSS18/30	18	5	5	10	15	
PSS30/52	28	7.5	10	20	25	
PSS37/64	34	10	10	25	30	
PSS44/76	40	10	10	30	30	
PSS50/85	47	15	15	30	40	
PSS60/105	56	15	20	40	50	
PSS72/124	67	20	20	50	60	
PSS85/147	85	25	30	60	75	
PSS105/181	105	30	40	75	100	
PSS142/245	125	40	40	100	125	
PSS175/300	156	50	60	125	150	
PSS250/430	225	75	75	150	200	
PSS300/515	248	75	100	200	250	

3-phase motor rating – Inside Delta

Softstarters		Motor power P (hp) and full load current FLA, (A)				
Type	Max. FLA A	U _e 200V / 208V hp	U _e 220V / 240V hp	U _e 440V / 480V hp	U _e 550V / 600V hp	
PSS18/30	30	7.5	10	20	25	
PSS30/52	48	15	15	30	40	
PSS37/64	58	20	20	40	50	
PSS44/76	69	20	25	50	60	
PSS50/85	81	25	30	60	75	
PSS60/105	96	30	30	75	75	
PSS72/124	116	40	40	75	100	
PSS85/147	147	50	50	100	150	
PSS105/181	181	60	60	150	150	
PSS142/245	215	75	75	150	200	
PSS175/300	270	75	100	200	250	
PSS250/430	389	125	150	300	400	
PSS300/515	429	150	150	350	400	

PSE – The efficient range

Description



Product description

- Wide rated operational voltage 208 – 600 V AC
- Wide rated control supply voltage 100 – 250 V, 50/60 Hz
- Rated operational current 18 to 370 A
- Wide ambient temperature range, -25 to +60 °C
- Coated circuit boards for reliable operation in harsh environment
- Built-in by-pass on all sizes, saving energy and reducing installation time
- User friendly HMI with illuminated language neutral display and four button keypad
- Optional external keypad, IP66
- Torque control for excellent control of pumps
- Current limit, adjustable between $1.5 - 7 \times I_n$
- Motor overload protection with classes 10A, 10, 20 and 30
- Motor underload protection to detect pumps running dry
- Locked rotor protection, detecting jammed pumps
- Kick start to start jammed pumps or conveyor belts
- Analog output showing operational current, 4 – 20 mA
- Optional fieldbus communication using Profibus, Modbus, Devicenet or CANopen
- Sophisticated algorithm eliminating the DC-component and thereby providing excellent starting performance.

The PSE softstarter range is the world's first compact softstarters with Torque Control. This makes the PSE range an excellent choice for pumping application where water hammering normally is a big problem. With its compact design and advanced functionality, the PSE is also a very efficient solution for other common applications such as compressors and fans.

Torque control

The most important function when stopping pumps is torque control. Since the PSE softstarter is optimized for controlling pumps, this feature is a must.

Built-in by-pass for energy saving

Using by-pass after reaching full voltage will greatly reduce the power loss and thereby save energy. In the PSE softstarter range, the by-pass is built-in on all sizes, which will give the most compact starting solution and reduce the need for wiring during installation.

Coated circuit boards

All circuit boards in the new PSE softstarter have a protective coating to ensure a reliable operation even in tough environments like wastewater plants, where corrosive gases and acids may exist.

Motor protection

The PSE softstarter is equipped with built-in electronic overload protection, protecting the motor from overheating. Since no additional overload device is needed, our efficient design saves both space, installation time, and ultimately money.

Analog output

The analog output terminals can be connected to an analog current meter to show the current during operation and thereby eliminating the need for an additional current transformer. The analog output signal can also be used as an analog input to a PLC.

Display and keypad

The set-up of the PSE softstarter is done using the four button keypad and the illuminated display, providing a quick and easy set-up. While operating, the display will also provide important status information such as current and voltage.

External keypad

As an option the PSE softstarter can be equipped with an external keypad for easy set-up and monitoring of the unit without opening the enclosure door. The keypad can also be used to copy parameters between different softstarters.

PSE – The efficient range

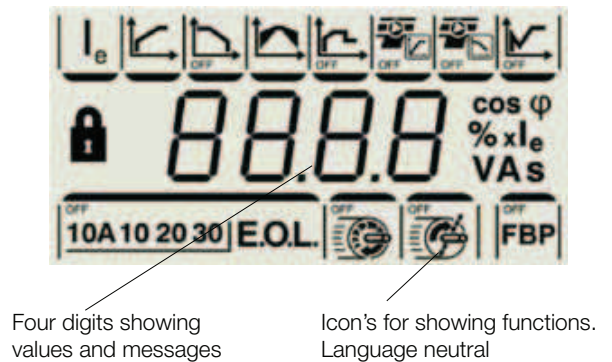
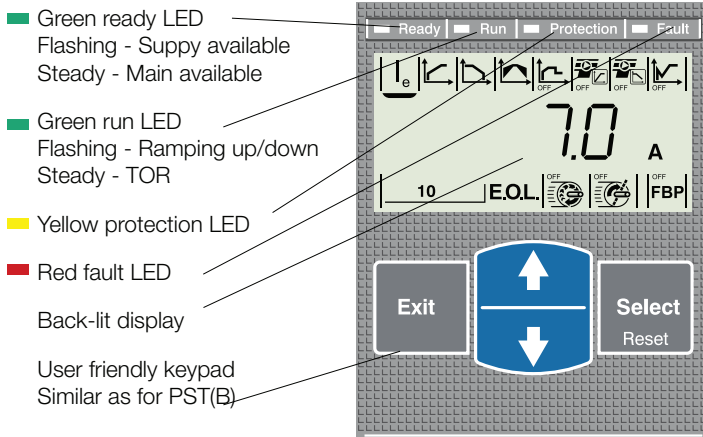
Description

The PSE Softstarter can be selected according to the rated motor power in normal duty applications like pumps, compressors, elevators, escalators, short conveyor belts and bow thrusters. See page 30.

For heavy duty applications like centrifugal fans, crushers, mixers, mills, stirrers and long conveyor belts, select a softstarter from page 31.



Settings



PSE – The efficient range

Overview



PSE18 ... PSE105

Normal start In-line connected	Softstarter. Type								
	PSE18	PSE25	PSE30	PSE37	PSE45	PSE60	PSE72	PSE85	PSE105
(400 V) kW	7.5	11	15	18.5	22	30	37	45	55
IEC, Max. A	18	25	30	37	45	60	72	85	106
(440-480 V) hp	10	15	20	25	30	40	50	60	75
UL, Max FLA	18	25	28	34	42	60	68	80	104
	400 V, 40 °C								
Using MCCB only, type 1 coordination will be achieved	MCCB (35 kA), type								
	T2N160							T3N250	
	MCCB (50 kA), type								
	T2S160							T3S250	
To achieve type 2 coordination, semi-conductor fuses must be used	Fuse protection (85 kA), Semiconductor fuses, Bussmann, type								
	170M1563	170M1564	170M1566	170M1567	170M1568	170M1569	170M1571	170M1572	170M3819
Suitable switch fuse for recommended semi-conductor fuses	Switch fuse, type								
	OS32GD03P			OS63GD03P			OS125GD03P		OS250D03P
The line contactor is not required for the softstarter itself but often used to open if OL trips	Line contactor, type								
	AF26	AF30	AF38	A50	A63	A75	A95	A110	
Overload protection is used to protect the motor from over heating	Electronic overload relay, type								
	Built-in								
The by-pass will reduce the power loss of the softstarter.	By-pass, type								
	Built-in								

A50 ... A300 might be replaced by AF50 ... AF300

The table above is an overview of possible combinations of devices.

Complete coordination tables are available at www.abb.com/lowvoltage

PSE – The efficient range

Overview



PSE142 ... PSE170

PSE210 ... PSE370

Normal start
In-line connected
(400 V) kW
IEC, Max. A
(440-480 V) hp
UL, Max FLA

Softstarter, Type						
PSE142	PSE170	PSE210	PSE250	PSE300	PSE370	
75	90	110	132	160	200	
143	171	210	250	300	370	
100	125	150	200	250	300	
130	169	192	248	302	361	

400 V, 40 °C

MCCB (35 kA), type						
T3N250		T4N320		T5N400		T5N630
MCCB (50 kA), type						
T3S250		T4S320		T5S400		T5S630

Using MCCB only, type 1 coordination will be achieved

To achieve type 2 coordination, semi-conductor fuses must be used

Fuse protection (85kA), Semiconductor fuses, Bussmann, type						
170M5809	170M5810	170M5812	170M5813	170M6812	170M6813	

Suitable switch fuse for recommended semi-conductor fuses

Switch fuse, type						
OS400D03P				OS630D03P		

The line contactor is not required for the softstarter itself but often used to open if OL trips

Line contactor, type						
A145	A185	A210	A260	A300	AF400	

Overload protection is used to protect the motor from over heating

Electronic overload relay, type						
Built-in						

The by-pass will reduce the power loss of the softstarter.

By-pass, type						
Built-in						

How to select correct size

By using the guide here, you can quickly select a suitable softstarter for the most common applications. If a more precise selection is required, you can use Prosoft, a selection software available at www.abb.com/lowvoltage

Quick guide for selection			
Normal start Class 10		Heavy duty start class 30	
Ordering - see page 30		Ordering - see page 31	
Typical applications			
• Bow thruster	• Centrifugal pump	• Centrifugal fan	• Conveyor belt (long)
• Compressor	• Conveyor belt (short)	• Crusher	• Mill
• Elevator	• Escalator	• Mixer	• Stirrer
! If more than 10 starts/h Select one size larger than the standard selection			

PSE – The efficient range

Normal starts, class 10, In-Line, ordering details



PSE18 ... PSE370

Rated operational voltage, U_e , 208 - 600 V AC

Rated control supply voltage, U_c , 100 - 250 V AC, 50/60 Hz

Motor power



PSE18 ... PSE105



PSE142 ... PSE170



PSE210 ... PSE370

230 V P_e kW	400 V P_e kW	500 V P_e kW	IEC Max rated operational current I_e A	Type	Order code	Weight kg 1 piece
4	7.5	11	18	PSE18-600-70	1SFA897 101 R7000	2.4
5.5	11	15	25	PSE25-600-70	1SFA897 102 R7000	2.4
7.5	15	18.5	30	PSE30-600-70	1SFA897 103 R7000	2.4
9	18.5	22	37	PSE37-600-70	1SFA897 104 R7000	2.4
11	22	30	45	PSE45-600-70	1SFA897 105 R7000	2.4
15	30	37	60	PSE60-600-70	1SFA897 106 R7000	2.4
18.5	37	45	72	PSE72-600-70	1SFA897 107 R7000	2.5
22	45	55	85	PSE85-600-70	1SFA897 108 R7000	2.5
30	55	75	106	PSE105-600-70	1SFA897 109 R7000	2.5
40	75	90	143	PSE142-600-70	1SFA897 110 R7000	4.2
45	90	110	171	PSE170-600-70	1SFA897 111 R7000	4.2
59	110	132	210	PSE210-600-70	1SFA897 112 R7000	12.4
75	132	160	250	PSE250-600-70	1SFA897 113 R7000	13.9
90	160	200	300	PSE300-600-70	1SFA897 114 R7000	13.9
110	200	250	370	PSE370-600-70	1SFA897 115 R7000	13.9

PSE – The efficient range

Heavy duty starts, class 30, In-Line, ordering details



PSE18 ... PSE370

Rated operational voltage, U_e , 208 - 600 V AC

Rated control supply voltage, U_c , 100 - 250 V AC, 50/60 Hz

Motor power



PSE18 ... PSE105



PSE142 ... PSE170



PSE210 ... PSE370

230 V P_e kW	400 V P_e kW	500 V P_e kW	IEC Max rated operational current I_e A	Type	Order code	Weight kg 1 piece
3	5.5	7.5	12	PSE18-600-70	1SFA897 101 R7000	2.4
4	7.5	11	18	PSE25-600-70	1SFA897 102 R7000	2.4
5.5	11	15	25	PSE30-600-70	1SFA897 103 R7000	2.4
7.5	15	18.5	30	PSE37-600-70	1SFA897 104 R7000	2.4
9	18.5	22	37	PSE45-600-70	1SFA897 105 R7000	2.4
11	22	30	45	PSE60-600-70	1SFA897 106 R7000	2.4
15	30	37	60	PSE72-600-70	1SFA897 107 R7000	2.5
18.5	37	45	72	PSE85-600-70	1SFA897 108 R7000	2.5
22	45	55	85	PSE105-600-70	1SFA897 109 R7000	2.5
30	55	75	106	PSE142-600-70	1SFA897 110 R7000	4.2
40	75	90	143	PSE170-600-70	1SFA897 111 R7000	4.2
45	90	110	171	PSE210-600-70	1SFA897 112 R7000	12.4
59	110	132	210	PSE250-600-70	1SFA897 113 R7000	13.9
75	132	160	250	PSE300-600-70	1SFA897 114 R7000	13.9
90	160	200	300	PSE370-600-70	1SFA897 115 R7000	13.9

PSE – The efficient range

Accessories



1SFT9009-05C2

LZ...



1SFT9009-01C1



LW...

1SFT9009-011C3



LL140

1SFC13230R0001

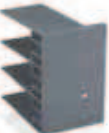


LE185

1SFC13221R0001



LT ... -AC



LT ... -AL



PSEEK

1SFC132328R0001



PS-FBPA

1SFC132169F0002

Cable connectors for Cu cables

For softstarter type	Wire range mm ²	Tightening torque max. Nm	Type	Order code	Pack ^{ing} piece	Weight kg 1 piece
PSE142 ...170	6-185	16	–	1SDA 023 354 R0001	3	0.200
PSE142 ...170	2 x (50-120)	16	LZ185-2C/120	1SFN 074 709 R1000	3	0.300
PSE210 ... 370	16-240	25	–	1SDA 023 368 R0001	3	0.400

Cable connectors for Al and Cu cables

For softstarter type	Wire range mm ²	Tightening torque max. Nm	Type	Order code	Pack ^{ing} piece	Weight kg 1 piece
PSE142 ...170	35-95	13.5	–	1SDA 023 356 R0001	3	0.100
PSE142 ...170	25-150	31	–	1SDA 023 357 R0001	3	0.100
PSE210 ... 370	120-240	43	–	1SDA 023 370 R0001	3	0.100

Terminal enlargements

For softstarter type	Dimensions hole ø mm ²	bar mm	Type	Order code	Pack ^{ing} piece	Weight kg 1 piece
PSE18...105	10.5	17.5 x 5	LW110	1SFN 074 307 R1000	1	0.100
PSE142...170	10.5	20 x 5	LW185	1SFN 074 707 R1000	1	0.450
PSE210...370	13	40 x 6	LW300	1SFN 075 107 R1000	1	1.230

Terminal nut washer

For softstarter type	Req. qty	Type	Order code	Pack ^{ing} piece	Weight kg 1 piece
PSE18...105	6	LL140	1SFN 074 211 R1000	6	–
PSE142...170	2	LE185	1SFN 074 716 R1000	2	0.200
PSE210...370	2	LE300	1SFN 075 116 R1000	2	0.300

Terminal shrouds

For softstarter type	Suitable for	Req. qty	Type	Order code	Pack ^{ing} piece	Weight kg 1 piece
PSE18...105	Compression lugs	2	LT140-30L	1SFN 124 203 R1000	2	–
PSE142...170	Cable connectors	2	LT185-AC	1SFN 124 701 R1000	2	0.050
PSE142...170	Compression lugs	2	LT185-AL	1SFN 124 703 R1000	2	0.220
PSE210...370	Cable connectors	2	LT300-AC	1SFN 125 101 R1000	2	0.070
PSE210...370	Compression lugs	2	LT300-AL	1SFN 125 103 R1000	2	0.280

External keypad including a 3m cable

For softstarter type	Type	Order code	Pack ^{ing} piece	Weight kg 1 piece
PSE18...370	PSEEK	1SFA 897 100 R1001	1	–

Fieldbus plug connection accessory

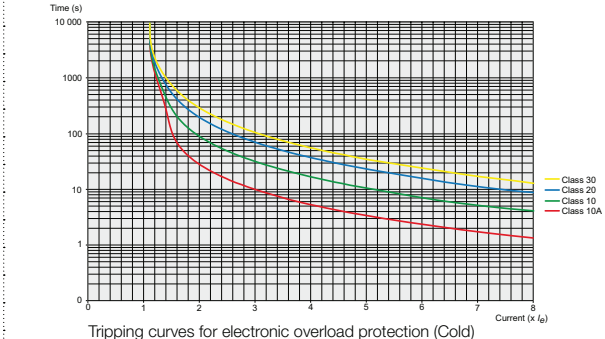
For softstarter type	Type	Order code	Pack ^{ing} piece	Weight kg 1 piece
The same accessory for all sizes	PS-FBPA	1SFA 896 312 R1002	1	0.060

ABB Field Bus Plug suitable for all sizes. See page 50-53

PSE – The efficient range

Technical data

Rated insulation voltage U_i	600 V	Analog output	
Rated operational voltage U_n	208 ... 600 V +10 %/-15 %	Output signal reference	4 ... 20 mA
Rated control supply voltage U_s	100 ... 250 V +10 %/-15 %, 50/60 Hz \pm 5 %	Type of output signal	I Amp
Rated control circuit voltage U_c	Internal 24 V DC	Scaling	Fixed at $1.2 \times I_n$
Starting capacity at I_n	$4 \times I_n$ for 10 sec.	Control circuit	
Number of starts per hour	$10^{1)}$	Number of inputs	3 (start, stop, reset of faults)
Overload capability,		Signal indication LED's	
Overload Class	10	On / Ready	Green flashing / steady
Ambient temperature		Run / TOR	Green flashing / steady
During operation	-25 ... +60 °C ²⁾	Protection	Yellow
During storage	-40 ... +70 °C	Fault	Red
Maximum Altitude	4000 m ³⁾	Protections	
Degree of protection		Electronic overload	Yes (Class 10A, 10, 20, 30)
Main circuit	IP00	Locked rotor protection	Yes
Supply and Control circuit	IP20	Underload protection	Yes
Main circuit		Field bus connection	
Built-in By-pass	Yes	Connection for ABB FieldBusPlug	Yes (option)
Cooling system - Fan cooled (thermostat controlled)	Yes	External keypad	
HMI for settings		Display LCD type	
Display	4 7-segments and icons. Illuminated	Ambient temperature	
Keypad	2 selection keys and 2 navigation keys	during operation	-25 ... +60 °C
Main settings		during storage	-40 ... +70 °C
Setting current	Size dependent	Degree of protection	IP66
Ramp time during start	1-30 sec		
Ramp time during stop	0-30 sec		
Initial / end voltage	30-70%		
Current limit	$1.5-7 \times I_n$		
Torque control for start	Yes / No		
Torque control for stop	Yes / No		
Kick start	Off, 30-100%		
Signal relays			
Number of signal relays	3		
K2	Run signal		
K3	TOR (By-pass) signal		
K1	Event signal		
Rated operational voltage U_n	250 V AC / 24 V DC ⁴⁾		
Rated thermal current I_{th}	3 A		
Rated operational current I_n			
at AC-15 ($U_n = 250$ V)	1.5 A		



¹⁾ Valid for 50 % on time and 50 % off time, with $3.5 \times I_n$ for 7 seconds. If other data is required, please contact your sales office

²⁾ Above 40 °C up to max. 60 °C reduce the rated current with 0.6 % per °C.

³⁾ When used at high altitudes above 1000 meters up to 4000 meters you need to derate the rated current using the following formula.


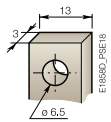
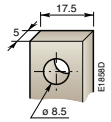
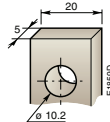
$$\left[\% \text{ of } I_n = 100 \cdot \frac{x - 1000}{150} \right] \quad x = \text{actual altitude for the softstarter}$$

⁴⁾ A common voltage needs to be used for all 3 signal relays

PSE – The efficient range

Technical data

Cross section of connection cables

		Type of softstarter PSE18 ... PSE105		PSE142 ... PSE170	PSE210 ... PSE370		
Main circuit							
Connection clamp							
							
Solid/stranded	1 x mm ²	2.5 – 70		See accessories			
Solid/stranded	2 x mm ²	2.5 – 70		See accessories			
Tightening torque (recommended)	Nm	9		See accessories			
Connection bar							
							
Width and thickness	mm	13		17.5		20	
Hole diameter	mm	6.5		8.5		10.2	
Tightening torque (recommended)	Nm	9		18		28	
Supply and control circuit							
Connection clamp							
Solid/stranded	1 x mm ²	2.5		2.5		2.5	
Solid/stranded	2 x mm ²	1.5		1.5		1.5	
Tightening torque (recommended)	Nm	0.5		0.5		0.5	

Fuse ratings and power losses

For Softstarter	Recommended ABB Overload protection			Max power loss at rated I _n (Internal by-pass)	Max fuse rating - main circuit ¹⁾ Bussman Fuses, DIN43 620			Power requirements supply circuit VA/VA pull in
	Type	Type	Current range A		A	Type	Size	
PSE								
PSE18	Integrated		5.4-18	0.2	40	170M1563	000	16
PSE25	Integrated		7.5-25	0.4	50	170M1564	000	16
PSE30	Integrated		9-30	0.5	80	170M1566	000	16
PSE37	Integrated		11.1-37	0.8	100	170M1567	000	16
PSE45	Integrated		13.5-45	1.2	125	170M1568	000	16
PSE60	Integrated		18-60	2.2	160	170M1569	000	16
PSE72	Integrated		21.6-72	3.1	250	170M1571	000	16
PSE85	Integrated		25.5-85	4.3	315	170M1572	000	16
PSE105	Integrated		31.8-106	6.6	400	170M3819	1*	16
PSE142	Integrated		42.9-143	12.1	450	170M5809	2	16
PSE170	Integrated		51.3-171	17.6	500	170M5810	2	16
PSE210	Integrated		63-210	8.8	630	170M5812	2	23/350
PSE250	Integrated		75-250	12.5	700	170M5813	2	23/350
PSE300	Integrated		90.6-302	18	800	170M6812	3	23/350
PSE370	Integrated		111-370	27.4	900	170M6813	3	23/350

¹⁾For the supply circuit 6 A delayed, for MCB use C characteristics.

PSE – The efficient range

UL ratings

3-phase motor rating – In-Line

Softstarters	Motor power P (hp) and full load current FLA, (A)				
	Max FLA A	U _e 200V / 208V hp	U _e 220V / 240V hp	U _e 440V / 480V hp	U _e 550V / 600V hp
Type					
PSE18	18	5	5	10	15
PSE25	25	7.5	7.5	15	20
PSE30	28	7.5	10	20	25
PSE37	34	10	10	25	30
PSE45	42	10	15	30	40
PSE60	60	20	20	40	50
PSE72	68	20	25	50	60
PSE85	80	25	30	60	75
PSE105	104	30	40	75	100
PSE142	130	40	50	100	125
PSE170	169	60	60	125	150
PSE210	192	60	75	150	200
PSE250	248	75	100	200	250
PSE300	302	100	100	250	300
PSE370	361	125	150	300	350



PST(B) – The advanced range

Description



Description

- Wide rated operational voltage 208 – 690 V AC
- Wide rated control supply voltage 100 – 250 V, 50/60 Hz
- Rated operational current 30 to 1050 A (Up to 1810 A inside delta)
- Both in line and inside delta connection
- Coated circuit boards available, for reliable operation even in harsh environments
- Full text display in 14 languages and 4 button keypad for easy set-up and operation
- Optional external keypad, IP66
- Built-in by-pass contactor on PSTB (from 370 A) for energy saving and easy installation
- Prepared for external by-pass on PST (30 – 300 A)
- Torque Control for excellent control of pumps
- Current limit, adjustable between $1.5 - 7 \times I_n$
- Fieldbus communication using Profibus, Modbus, Devicenet or CANopen
- Dual motor overload protection with classes 10A, 10, 20 and 30
- Adaptable motor underload protection to detect pumps running dry
- Adaptable locked rotor protection to detect jammed pumps
- PTC protection to protect the motor from overheating
- Adjustable kick start to start jammed pumps
- Programmable output signal relays
- Programmable pre-warning functions
- Event log with time stamp
- Analog output showing current, voltage, power factor etc. 0 – 10 V, 0 – 20 mA, 4 – 20 mA

The PST(B) softstarter is the most advanced softstarter in the ABB product portfolio and is equipped with almost all imaginable features. This makes the PST(B) ideal for almost every application.

Torque Control

The ABB torque control function is developed together with pump manufacturers to ensure the best possible pump stop, eliminating problems with water hammering and pressure surges.

By-pass for energy saving

By-passing the softstarter after reaching full voltage, will save energy and reduce the heat generation. The PST softstarters are equipped with extra terminals making the connection of an external by-pass contactor easier and allowing all protections to be active during by-pass. On the PSTB softstarters, an ABB AF-contactor is already built-in, ensuring a compact starting solution with minimal wiring during installation.

Advanced protections

The PST(B) softstarters are equipped with almost all protections imaginable for protecting the motor, the softstarter and the application. To offer more flexibility, all protections can be tailored to your specific needs.

Flexible analog output

The analog output terminals can be connected to an analog current meter to show the current during operation and thereby eliminating the need for an additional current transformer. The analog output signal can also be used as an analog input to a PLC.

Fieldbus communication

Using the ABB FieldBusPlug, all the most common fieldbus protocols are supported. Using the PLC system it is possible to set-up the softstarter, read status information and also to control the softstarter.

Display and keypad

The PST(B) softstarter is equipped with a full text display showing all information in clear text in your own language. To make it even easier to set-up, there are standard settings for many common applications, such as centrifugal pump. Selecting this will automatically provide all required settings including torque control when stopping.

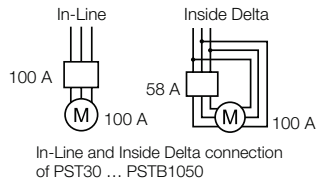
External keypad

As an option, the PST(B) softstarter can be equipped with an external keypad for easy set-up and monitoring of the unit without opening the enclosure door. The keypad can also be used to copy parameters between different softstarters.

PST(B) – The advanced range

Description

The PST Softstarter can be selected according to the rated motor power in normal duty applications like pumps, compressors, elevators, escalators, short conveyor belts and bow thrusters. See page 40 – 41, For heavy duty applications like centrifugal fans, crushers, mixers, mills, stirrers and long conveyor belts, select a softstarter from page 42 – 43.



- Green on LED
- Yellow protection LED
- Red fault LED
- Full text display in 14 languages
- User friendly keypad
- Pre set application settings



External keypad with same design as the fixed one

PST(B) – The advanced range

Overview



PST30 ... PST72

PST85 ... PST142

Normal start
In-Line connected

(400 V) kW
IEC, Max. A
(440-480 V) hp
UL, Max FLA

Softstarter, Type

PST30	PST37	PST44	PST50	PST60	PST72	PST85	PST105	PST142
15	18.5	22	25	30	37	45	55	75
30	37	44	50	60	72	85	105	142
20	25	30	40	40	50	60	75	100
28	34	42	54	60	68	80	104	130

400 V, 40 °C

Using MCCB only, type 1 coordination will be achieved.

MCCB (50kA), type

T2S160

T3S250

To achieve a type 2 coordination, semi-conductor fuses must be used.

Fuse protection (65kA), Semiconductor fuses, Bussmann, type

170M1566	170M1568	170M1569	170M1570	170M1571	170M1572	170M3819	170M5809
----------	----------	----------	----------	----------	----------	----------	----------

Suitable switch fuse for recommended semi-conductor fuses.

Switch fuse, type

OS32GD03P	OS63GD03P	OS125GD03P	OS250D03P	OS400D03P
-----------	-----------	------------	-----------	-----------

The line contactor is not required for the softstarter itself but often used to open if OL trips

Line contactor, type

AF30	AF38	A50	A63	A75	A95	A110	A145
------	------	-----	-----	-----	-----	------	------

Overload protection is used to protect the motor from over heating

Electronic overload relay

Built-in

The by-pass contactor will reduce the power loss of the softstarter. All softstarters can be operated without by-pass

By-pass contactor, type

AF16	AF26	AF30	A40	A50	A63	A95
------	------	------	-----	-----	-----	-----

A50 ... A300 might be replaced by AF50 ... AF300.

The table above is an overview of possible combinations of devices.

Complete coordination tables are available at www.abb.com/lowvoltage

PST(B) – The advanced range

Overview



	PST175 ... PST300				PSTB370 ... PSTB470		PSTB570 ... PSTB1050				
Normal start In-Line connected	Softstarter, Type										
	PST175	PST210	PST250	PST300	PSTB370	PSTB470	PSTB570	PSTB720	PSTB840	PSTB1050	
	(400 V) kW	90	110	132	160	200	250	315	400	450	560
	IEC, Max. A	175	210	250	300	370	470	570	720	840	1050
	(440-480 V) hp	125	150	200	250	300	400	500	600	700	900
UL, Max FLA	156	192	248	302	361	480	590	720	840	1062	
	400 V, 40 °C										
Using MCCB only, type 1 coordination will be achieved.	MCCB (50kA), type										
	T4S250			T5S400		T5S630		T6S630	T6S800	T7S1250	T7S1600
To achieve a type 2 coordination, semi-conductor fuses must be used.	Fuse protection (65kA), Semiconductor fuses, Bussmann, type										
	170M5810	170M5812	170M5813	170M6813	170M5813	170M6813	170M8554	170M6018	170M6020 ³⁾		
Suitable switch fuse for recommended semi-conductor fuses.	Switch fuse, type										
	OS400D03P			OS630D03P	OS400D03P	OS630D03P	OS800D03P	1)			
The line contactor is not required for the softstarter itself but often used to open if OL trips	Line contactor, type										
	A185	A210	A260	A300	AF400	AF580	AF750	AF1350	AF1650		
Overload protection is used to protect the motor from over heating	Electronic overload relay, type										
	Built-in										
The by-pass contactor will reduce the power loss of the softstarter. All softstarters can be operated without by-pass	By-pass contactor, type										
	A145			A210		Built-in					

1) Switch fuse not available. Use Bussman fuse base 170M3004
 2) PSTB1050-690-70 has 170M6019

How to select correct size

By using the guide here, you can quickly select a suitable softstarter for the most common applications. If a more precise selection is required, you can use Prosoft, a selection software available at www.abb.com/lowvoltage

Quick guide for selection			
Normal start Class 10		Heavy duty start class 30	
Ordering - see page 40 - 41		Ordering - see page 42 - 43	
Typical applications			
• Bow thruster	• Centrifugal pump	• Centrifugal fan	• Conveyor belt (long)
• Compressor	• Conveyor belt (short)	• Crusher	• Mill
• Elevator	• Escalator	• Mixer	• Stirrer
If more than 10 starts/h			
Select one size larger than the standard selection			

PST(B) – The advanced range

Normal starts, class 10, In-Line, ordering details



PST30 ... PSTB1050

Rated operational voltage U_n , 208 - 600 V

Rated control supply voltage, U_c , 100 - 250 V AC, 50/60 Hz

Motor power



PST30 ... PST72



PST85 ... PST142



PST175 ... PST300



PSTB370 ... PSTB470



PSTB570 ... PSTB1050

400 V P kW	500 V P kW	690 V P kW	IEC Max rated operational current I _e A	Type ^{*)}	Order code ^{**)}	Weight kg 1 piece
15	18.5	-	30	PST30-600-70□	1SFA894 002 R70▽	4.80
18.5	22	-	37	PST37-600-70□	1SFA894 003 R70▽	4.80
22	25	-	44	PST44-600-70□	1SFA894 004 R70▽	4.80
25	30	-	50	PST50-600-70□	1SFA894 005 R70▽	4.80
30	37	-	60	PST60-600-70□	1SFA894 006 R70▽	5.00
37	45	-	72	PST72-600-70□	1SFA894 007 R70▽	5.00
45	55	-	85	PST85-600-70□	1SFA894 008 R70▽	11.20
55	75	-	105	PST105-600-70□	1SFA894 009 R70▽	13.00
75	90	-	142	PST142-600-70□	1SFA894 010 R70▽	13.00
90	110	-	175	PST175-600-70□	1SFA894 011 R70▽	21.50
110	132	-	210	PST210-600-70□	1SFA894 012 R70▽	21.50
132	160	-	250	PST250-600-70□	1SFA894 013 R70▽	23.00
160	200	-	300	PST300-600-70□	1SFA894 014 R70▽	23.00
200	257	-	370	PSTB370-600-70□	1SFA894 015 R70▽	31.00
250	315	-	470	PSTB470-600-70□	1SFA894 016 R70▽	31.00
315	400	-	570	PSTB570-600-70□	1SFA894 017 R70▽	52.00
400	500	-	720	PSTB720-600-70□	1SFA894 018 R70▽	55.00
450	600	-	840	PSTB840-600-70□	1SFA894 019 R70▽	60.00
560	730	-	1050	PSTB1050-600-70□	1SFA894 020 R70▽	60.00

PST30 ... PSTB1050

Rated operational voltage U_n , 400 - 690 V

Rated control supply voltage, U_c , 100 - 250 V AC, 50/60 Hz

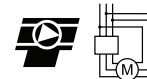
15	18.5	25	30	37	44	50	60	72	85	105	142	175	210	250	300	370	470	570	720	840	1050	Type	Order code	Weight
15	18.5	25	30	37	44	50	60	72	85	105	142	175	210	250	300	370	470	570	720	840	1050	PST30-690-70□	1SFA895 002 R70▽	4.80
18.5	22	30	37	44	50	60	72	85	105	142	175	210	250	300	370	470	570	720	840	1050		PST37-690-70□	1SFA895 003 R70▽	4.80
22	25	37	44	50	60	72	85	105	142	175	210	250	300	370	470	570	720	840	1050		PST44-690-70□	1SFA895 004 R70▽	4.80	
25	30	45	50	60	72	85	105	142	175	210	250	300	370	470	570	720	840	1050			PST50-690-70□	1SFA895 005 R70▽	4.80	
30	37	55	60	72	85	105	142	175	210	250	300	370	470	570	720	840	1050				PST60-690-70□	1SFA895 006 R70▽	5.00	
37	45	59	72	85	105	142	175	210	250	300	370	470	570	720	840	1050					PST72-690-70□	1SFA895 007 R70▽	5.00	
45	55	75	85	105	142	175	210	250	300	370	470	570	720	840	1050						PST85-690-70□	1SFA895 008 R70▽	11.20	
55	75	90	105	142	175	210	250	300	370	470	570	720	840	1050							PST105-690-70□	1SFA895 009 R70▽	13.00	
75	90	132	142	175	210	250	300	370	470	570	720	840	1050								PST142-690-70□	1SFA895 010 R70▽	13.00	
90	110	160	175	210	250	300	370	470	570	720	840	1050									PST175-690-70□	1SFA895 011 R70▽	21.50	
110	132	184	210	250	300	370	470	570	720	840	1050										PST210-690-70□	1SFA895 012 R70▽	21.50	
132	160	220	250	300	370	470	570	720	840	1050											PST250-690-70□	1SFA895 013 R70▽	23.00	
160	200	257	300	370	470	570	720	840	1050												PST300-690-70□	1SFA895 014 R70▽	23.00	
200	257	355	370	470	570	720	840	1050													PSTB370-690-70□	1SFA895 015 R70▽	31.00	
250	315	450	470	570	720	840	1050														PSTB470-690-70□	1SFA895 016 R70▽	31.00	
315	400	560	570	720	840	1050															PSTB570-690-70□	1SFA895 017 R70▽	52.00	
400	500	710	720	840	1050																PSTB720-690-70□	1SFA895 018 R70▽	55.00	
450	600	800	840	1050																	PSTB840-690-70□	1SFA895 019 R70▽	60.00	
560	730	1000	1050																		PSTB1050-690-70□	1SFA895 020 R70▽	60.00	

^{*)} Add code letter in Type acc. to below:
 □ No code letter = Normal
 T = Coated PCBs

^{**)} Add code number in Order code acc. to below:
 ▽ 0 = Normal
 2 = Coated PCBs

PST(B) – The advanced range

Normal starts, class 10, Inside Delta, ordering details



PST30...PSTB1050

Rated operational voltage U_o , 208 - 600 V

Rated control supply voltage, U_s , 100 - 250 V AC, 50/60 Hz

Motor power



PST30 ... PST72

1SFC132309F0001



PST85 ... PST142

1SFC132309F0001



PST175 ... PST300

1SFC132307F0001



PSTB370 ... PSTB470

1SFC132309F0001



PSTB570 ... PSTB1050

1SFC132309F0001

400 V P kW	500 V P _e kW	690 V P _e kW	IEC Max rated operational current I _o A	Type ^{*)}	Order code ^{**)}	Weight kg 1 piece
25	30	-	52	PST30-600-70□	1SFA894 002 R70∇0	4.80
30	37	-	64	PST37-600-70□	1SFA894 003 R70∇0	4.80
37	45	-	76	PST44-600-70□	1SFA894 004 R70∇0	4.80
45	55	-	85	PST50-600-70□	1SFA894 005 R70∇0	4.80
55	75	-	105	PST60-600-70□	1SFA894 006 R70∇0	5.00
59	80	-	124	PST72-600-70□	1SFA894 007 R70∇0	5.00
75	90	-	147	PST85-600-70□	1SFA894 008 R70∇0	11.20
90	110	-	181	PST105-600-70□	1SFA894 009 R70∇0	13.00
132	160	-	245	PST142-600-70□	1SFA894 010 R70∇0	13.00
160	200	-	300	PST175-600-70□	1SFA894 011 R70∇0	21.50
184	250	-	360	PST210-600-70□	1SFA894 012 R70∇0	21.50
220	295	-	430	PST250-600-70□	1SFA894 013 R70∇0	23.00
257	355	-	515	PST300-600-70□	1SFA894 014 R70∇0	23.00
355	450	-	640	PSTB370-600-70□	1SFA894 015 R70∇0	31.00
450	600	-	814	PSTB470-600-70□	1SFA894 016 R70∇0	31.00
540	700	-	987	PSTB570-600-70□	1SFA894 017 R70∇0	52.00
710	880	-	1247	PSTB720-600-70□	1SFA894 018 R70∇0	55.00
800	1000	-	1455	PSTB840-600-70□	1SFA894 019 R70∇0	60.00
1000	1250	-	1810	PSTB1050-600-70□	1SFA894 020 R70∇0	60.00

PST30 ... PSTB1050

Rated operational voltage U_o , 400 - 690 V

Rated control supply voltage, U_s , 100 - 250 V AC, 50/60 Hz

25	30	45	52	PST30-690-70□	1SFA895 002 R70∇0	4.80
30	37	55	64	PST37-690-70□	1SFA895 003 R70∇0	4.80
37	45	59	76	PST44-690-70□	1SFA895 004 R70∇0	4.80
45	55	75	85	PST50-690-70□	1SFA895 005 R70∇0	4.80
55	75	90	105	PST60-690-70□	1SFA895 006 R70∇0	5.00
59	80	110	124	PST72-690-70□	1SFA895 007 R70∇0	5.00
75	90	132	147	PST85-690-70□	1SFA895 008 R70∇0	11.20
90	110	160	181	PST105-690-70□	1SFA895 009 R70∇0	13.00
132	160	220	245	PST142-690-70□	1SFA895 010 R70∇0	13.00
160	200	257	300	PST175-690-70□	1SFA895 011 R70∇0	21.50
184	250	315	360	PST210-690-70□	1SFA895 012 R70∇0	21.50
220	295	400	430	PST250-690-70□	1SFA895 013 R70∇0	23.00
257	355	500	515	PST300-690-70□	1SFA895 014 R70∇0	23.00
355	450	600	640	PSTB370-690-70□	1SFA895 015 R70∇0	31.00
450	600	800	814	PSTB470-690-70□	1SFA895 016 R70∇0	31.00
540	700	960	987	PSTB570-690-70□	1SFA895 017 R70∇0	52.00
710	880	1200	1247	PSTB720-690-70□	1SFA895 018 R70∇0	55.00
800	1000	1400	1455	PSTB840-690-70□	1SFA895 019 R70∇0	60.00
1000	1250	1700	1810	PSTB1050-690-70□	1SFA895 020 R70∇0	60.00

^{*)} Add code letter in Type acc. to below:
 No code letter = Normal
 T = Coated PCBs

^{**)} Add code number in Order code acc. to below:
 ∇ 0 = Normal
 2 = Coated PCBs

PST(B) – The advanced range Heavy Duty, class 30, In-Line, ordering details



PST30...PSTB1050

Rated operational voltage, U_n , 208 - 600 V

Rated control supply voltage, U_s , 100 - 250 V AC, 50/60 Hz

Motor power

400 V P_e kW	500 V P_e kW	690 V P_e kW	IEC Max rated operational current I_e A	Type*)	Order code**)	Weight kg 1 piece
11	15	-	22	PST30-600-70□	1SFA894 002 R70▽	4.80
15	18.5	-	30	PST37-600-70□	1SFA894 003 R70▽	4.80
18.5	22	-	37	PST44-600-70□	1SFA894 004 R70▽	4.80
22	25	-	44	PST50-600-70□	1SFA894 005 R70▽	4.80
25	30	-	50	PST60-600-70□	1SFA894 006 R70▽	5.00
30	37	-	60	PST72-600-70□	1SFA894 007 R70▽	5.00
37	45	-	72	PST85-600-70□	1SFA894 008 R70▽	11.20
45	55	-	85	PST105-600-70□	1SFA894 009 R70▽	13.00
55	75	-	105	PST142-600-70□	1SFA894 010 R70▽	13.00
75	90	-	142	PST175-600-70□	1SFA894 011 R70▽	21.50
90	110	-	175	PST210-600-70□	1SFA894 012 R70▽	21.50
110	132	-	210	PST250-600-70□	1SFA894 013 R70▽	23.00
132	160	-	250	PST300-600-70□	1SFA894 014 R70▽	23.00
160	200	-	300	PSTB370-600-70□	1SFA894 015 R70▽	31.00
200	257	-	370	PSTB470-600-70□	1SFA894 016 R70▽	31.00
250	315	-	470	PSTB570-600-70□	1SFA894 017 R70▽	52.00
315	400	-	570	PSTB720-600-70□	1SFA894 018 R70▽	55.00
400	500	-	720	PSTB840-600-70□	1SFA894 019 R70▽	60.00
450	600	-	840	PSTB1050-600-70□	1SFA894 020 R70▽	60.00



PST30 ... PST72



PST85 ... PST142



PST175 ... PST300



PSTB370 ... PSTB470



PSTB570 ... PSTB1050

PST30...PSTB1050

Rated operational voltage U_n , 400 - 690 V

Rated control supply voltage U_s , 100 - 250 V AC, 50/60 Hz

400 V P_e kW	500 V P_e kW	690 V P_e kW	IEC Max rated operational current I_e A	Type*)	Order code**)	Weight kg 1 piece
11	15	18.5	22	PST30-690-70□	1SFA895 002 R70▽	4.80
15	18.5	25	30	PST37-690-70□	1SFA895 003 R70▽	4.80
18.5	22	30	37	PST44-690-70□	1SFA895 004 R70▽	4.80
22	25	37	44	PST50-690-70□	1SFA895 005 R70▽	4.80
25	30	45	50	PST60-690-70□	1SFA895 006 R70▽	5.00
30	37	55	60	PST72-690-70□	1SFA895 007 R70▽	5.00
37	45	59	72	PST85-690-70□	1SFA895 008 R70▽	11.20
45	55	75	85	PST105-690-70□	1SFA895 009 R70▽	13.00
55	75	90	105	PST142-690-70□	1SFA895 010 R70▽	13.00
75	90	132	142	PST175-690-70□	1SFA895 011 R70▽	21.50
90	110	160	175	PST210-690-70□	1SFA895 012 R70▽	21.50
110	132	184	210	PST250-690-70□	1SFA895 013 R70▽	23.00
132	160	220	250	PST300-690-70□	1SFA895 014 R70▽	23.00
160	200	257	300	PSTB370-690-70□	1SFA895 015 R70▽	31.00
200	257	355	370	PSTB470-690-70□	1SFA895 016 R70▽	31.00
250	315	450	470	PSTB570-690-70□	1SFA895 017 R70▽	52.00
315	400	560	570	PSTB720-690-70□	1SFA895 018 R70▽	55.00
400	500	710	720	PSTB840-690-70□	1SFA895 019 R70▽	60.00
450	600	800	840	PSTB1050-690-70□	1SFA895 020 R70▽	60.00

*) Add code letter in Type acc. to below:
□ No code letter = Normal
T = Coated PCBs

**) Add code number in Order code acc. to below:
▽ 0 = Normal
2 = Coated PCBs

PST(B) – The advanced range

Heavy Duty, class 30, Inside Delta, ordering details



PST30...PSTB1050

Rated operational voltage U_e , 208 - 600 V

Rated control supply voltage U_s , 100 - 250 V AC, 50/60 Hz

Motor power



PST30 ... PST72



PST85 ... PST142



PST175 ... PST300



PSTB370 ... PSTB470



PSTB570 ... PSTB1050

400 V P kW	500 V P kW	690 V P kW	IEC Max rated operational current I_e A	Type ^{*)}	Order code ^{*)}	Weight kg 1 piece
18,5	25	-	42	PST30-600-70□	1SFA894 002 R70▽	4.80
25	30	-	52	PST37-600-70□	1SFA894 003 R70▽	4.80
30	37	-	64	PST44-600-70□	1SFA894 004 R70▽	4.80
37	45	-	76	PST50-600-70□	1SFA894 005 R70▽	4.80
45	55	-	85	PST60-600-70□	1SFA894 006 R70▽	5.00
55	75	-	105	PST72-600-70□	1SFA894 007 R70▽	5.00
59	80	-	124	PST85-600-70□	1SFA894 008 R70▽	11.20
75	90	-	147	PST105-600-70□	1SFA894 009 R70▽	13.00
90	110	-	181	PST142-600-70□	1SFA894 010 R70▽	13.00
132	160	-	245	PST175-600-70□	1SFA894 011 R70▽	21.50
160	200	-	300	PST210-600-70□	1SFA894 012 R70▽	21.50
184	250	-	360	PST250-600-70□	1SFA894 013 R70▽	23.00
220	295	-	430	PST300-600-70□	1SFA894 014 R70▽	23.00
257	355	-	515	PSTB370-600-70□	1SFA894 015 R70▽	31.00
355	450	-	640	PSTB470-600-70□	1SFA894 016 R70▽	31.00
450	600	-	814	PSTB570-600-70□	1SFA894 017 R70▽	52.00
540	700	-	987	PSTB720-600-70□	1SFA894 018 R70▽	55.00
710	880	-	1247	PSTB840-600-70□	1SFA894 019 R70▽	60.00
800	1000	-	1455	PSTB1050-600-70□	1SFA894 020 R70▽	60.00

PST30...PSTB1050

Rated operational voltage U_e , 400 - 690 V

Rated control supply voltage U_s , 100 - 250 V AC, 50/60 Hz

18.5	25	37	42	PST30-690-70□	1SFA895 002 R70▽	4.80
25	30	45	52	PST37-690-70□	1SFA895 003 R70▽	4.80
30	37	55	64	PST44-690-70□	1SFA895 004 R70▽	4.80
37	45	59	76	PST50-690-70□	1SFA895 005 R70▽	4.80
45	55	75	85	PST60-690-70□	1SFA895 006 R70▽	5.00
55	75	90	105	PST72-690-70□	1SFA895 007 R70▽	5.00
59	80	110	124	PST85-690-70□	1SFA895 008 R70▽	11.20
75	90	132	147	PST105-690-70□	1SFA895 009 R70▽	13.00
90	110	160	181	PST142-690-70□	1SFA895 010 R70▽	13.00
132	160	220	245	PST175-690-70□	1SFA895 011 R70▽	21.50
160	200	257	300	PST210-690-70□	1SFA895 012 R70▽	21.50
184	250	315	360	PST250-690-70□	1SFA895 013 R70▽	23.00
220	295	400	430	PST300-690-70□	1SFA895 014 R70▽	23.00
257	355	500	515	PSTB370-690-70□	1SFA895 015 R70▽	31.00
355	450	600	640	PSTB470-690-70□	1SFA895 016 R70▽	31.00
450	600	800	814	PSTB570-690-70□	1SFA895 017 R70▽	52.00
540	700	960	987	PSTB720-690-70□	1SFA895 018 R70▽	55.00
710	880	1200	1247	PSTB840-690-70□	1SFA895 019 R70▽	60.00
800	1000	1400	1455	PSTB1050-690-70□	1SFA895 020 R70▽	60.00

^{*)} Add code letter in Type acc. to below:

□ No code letter = Normal
T = Coated PCBs

^{**)} Add code number in Order code acc. to below:

▽ 0 = Normal
2 = Coated PCBs

PST(B) – The advanced range

Accessories

Cable connectors for Cu cables

For PST85...300 you need 9 pieces if also using the terminals B1, B2, B3 for external by-pass contactor.



LZ...

For softstarter type	Wire range mm ²	Tightening torque max. Nm	Type	Order code	Pack ^{ing} piece	Weight kg 1 piece
PST85 ...142	6-185	16	-	1SDA 023 354 R0001	3	0.200
PST85 ...142	2 x (50-120)	16	LZ185-2C/120	1SFN 074 709 R1000	3	0.300
PST175 ...PSTB470	16-240	25	-	1SDA 023 368 R0001	3	0.400

Cable connectors for Al and Cu cables

For PST85...300 you need 9 pieces if also using the terminals B1, B2, B3 for external by-pass contactor.



1SFT98099-011C1

For softstarter type	Wire range mm ²	Tightening torque max. Nm	Type	Order code	Pack ^{ing} piece	Weight kg 1 piece
PST85 ...142	35-95	13.5	-	1SDA 023 356 R0001	3	0.100
PST85 ...142	25-150	31	-	1SDA 023 357 R0001	3	0.100
PST175 ...300	120-240	43	-	1SDA 023 370 R0001	3	0.100
PSTB370 ...1050	3 x (70-185)	43	-	1SDA 023 384 R0001	3	0.265
PSTB370 ...1050	2 x (120-240)	31	-	1SDA 023 380 R0001	3	0.110

Terminal extensions



1SFT98000-012C3

LX...

For softstarter type	Dimensions hole ø mm ²	bar mm	Type	Order code	Pack ^{ing} piece	Weight kg 1 piece
PST85...142	8.5	17.5 x 5	LX185 ¹⁾	1SFN 074 710 R1000	1	0.250
PST175...300	10.5	20 x 5	LX300 ²⁾	1SFN 075 110 R1000	1	0.350
PSTB370...470	10.5	25 x 5	LX460	1SFN 075 710 R1000	1	0.500
PSTB570...1050	13	40 x 6	LX750	1SFN 076 110 R1000	1	0.850

Terminal enlargements



1SFT98000-011C3

LW...

For softstarter type	Dimensions hole ø mm ²	bar mm	Type	Order code	Pack ^{ing} piece	Weight kg 1 piece
PST30...72	6.5	15 x 3	LW110 ¹⁾	1SFN 074 307 R1000	1	0.100
PST85...142	10.5	17.5 x 5	LW185 ¹⁾	1SFN 074 707 R1000	1	0.250
PST175...300	10.5	20 x 5	LW300 ¹⁾	1SFN 075 107 R1000	1	0.450
PSTB370...470	10.5	25 x 5	LW460	1SFN 075 707 R1000	1	0.730
PSTB570...1050	13	40 x 6	LW750	1SFN 076 107 R1000	1	1.230

Terminal nut washer



1SFC132321R0001

LE185

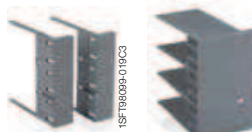


1SFC132322R0001

LE460

For softstarter type	Req. qty	Type	Order code	Pack ^{ing} piece	Weight kg 1 piece
PST85...142	1	LE185 ¹⁾	1SFN 074 716 R1000	2	0.200
PST175...300	3	LE300 ²⁾	1SFN 075 116 R1000	2	0.300
PSTB370...470	6	LE460	1SFN 075 716 R1000	6	0.600
PSTB570...1050	6	LE750	1SFN 076 116 R1000	6	0.750

Terminal shrouds



LT ... -AC

LT ... -AL

For softstarter type	Suitable for	Req. qty	Type	Order code	Pack ^{ing} piece	Weight kg 1 piece
PST85...142	Cable connectors	1 pce and	LT185-AC	1SFN 124 701 R1000	2	0.050
		1 pce	LT460-AC	1SFN 125 701 R1000	2	0.100
PST85...142	Compression lugs	1 pce and	LT185-AL	1SFN 124 703 R1000	2	0.220
		1 pce	LT460-AL	1SFN 125 703 R1000	2	0.800
PST175...300	Cable connectors	3 pcs	LT300-AC ²⁾	1SFN 125 101 R1000	2	0.070
PST175...300	Compression lugs	3 pcs	LT300-AL ²⁾	1SFN 125 103 R1000	2	0.280
PSTB370...470	Cable connectors	2 pcs	LT460-AC	1SFN 125 701 R1000	2	0.100
PSTB370...470	Compression lugs	2 pcs	LT460-AL	1SFN 125 703 R1000	2	0.800
PSTB570...1050	Cable connectors	2 pcs	LT750-AC	1SFN 126 101 R1000	2	0.120
PSTB570...1050	Compression lugs	2 pcs	LT750-AL	1SFN 126 103 R1000	2	0.825

External keypad including a 3m cable

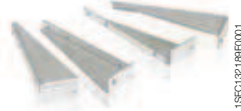


1SFC1321115F0001

PSTEK

For softstarter type	Type	Order code	Pack ^{ing} piece	Weight kg 1 piece
PST30...300 PSTB370...1050	PSTEK	1SFA 899 003 R1000	1	0.400

Marine Kit



1SFC1321189F0001

PSTM-2

For softstarter type	Type	Order code	Pack ^{ing} piece	Weight kg 1 piece
PST85...142	PSTM-2	1SFA 899 004 R1000	1	0.240

Fieldbus plug

ABB Fieldbus Plug suitable for all sizes. See page 50-53

¹⁾ Only fits on the motor side

²⁾ Use two sets of the accessories on the line side and one set on the motor side.

PST(B) – The advanced range

Technical data

Rated insulation voltage U_i	690 V		Control circuit	Number of inputs	2 (start, stop)
Rated operational voltage U_o	208...600 V, 400...690 V + 10 % / - 15 % 50/60 Hz $\pm 5\%$			Number of additional programmable inputs	2 (Each input can be programmed to be either; Non, Reset, Enable, Jog, DOL- On, Start motor 2, Start motor 3 or FB-Dis)
Rated control supply voltage U_s	100...250 V +10% / -15% 50/60 Hz $\pm 5\%$		Signalling indication LED		
Rated control circuit voltage U_c	Internal or external 24 V DC		Power on	Green	
Starting capacity at I_o	3 x I_o for 15 sec.		Fault	Red	
Number of starts per hour	PST30...300	PSTB370...1050	Protection	Yellow	
	30 ¹⁾	10 ¹⁾	Protections		
Overload capability			Electronic overload	Yes (Class 10A, 10, 20, 30)	
Overload class	10		Dual overload	Yes (separate overload function for start and run)	
Service factor	PST(B)30...840	PSTB1050	PTC connection	Yes	
	115 %	100 %	Locked rotor protection	Yes (Level and delay adjustable)	
Ambient temperature			Underload protection	Yes (Level and delay adjustable)	
during operation	$\pm 0 \dots +50 \text{ }^\circ\text{C}$ ²⁾		Phase imbalance	Yes (Level and delay adjustable)	
during storage	$-25 \dots +70 \text{ }^\circ\text{C}$		High current ($8 \times I_o$)	Yes	
Maximum altitude	4000 m ³⁾		Phase reversal protection	Yes	
Degree of protection	PST30...72	PST85...PSTB1050	Warnings (pre-warning)		
main circuit	IP10	IP00	High current	Yes (Level and delay adjustable)	
Supply and control circuit	IP20		Low current (underload)	Yes (Level and delay adjustable)	
Main circuit	PST30...300	PSTB370...1050	Overload trip	Yes (Level and delay adjustable)	
Built-in By-pass contactor	No	Yes	Overtemp, thyristor (SCR)	Yes	
Cooling system - Fan cooled	Yes (thermostat controlled)		Start of several motors	Possible to set-up and start three different motors	
HMI for settings (Human Machine Interface)			Field bus connection	Connection for ABB FiledBus Plug	
Display	Full text		PTC input	Switch off resistance	
Languages	English, German, Italian, Dutch, Chinese, Finnish, Swedish, French, Spanish, Russian, Portugese, Turkish, Polish and Czech		Switch on resistance	2825 ohm $\pm 20\%$	
Keypad	2 selection keys and 2 navigating keys		External keypad	Switch on resistance	
Signal relays			Display	LCD type	
Number of programmable signal relays	3 (each relay can be programmed to be Run, By-pass or Event signal)		Ambient temperature	During operation	
K4	Default as Run signal		During storage	$\pm 0 \dots +50 \text{ }^\circ\text{C}$	
K5	Default as TOR (By-pass) signal		Degree of protection	$-25 \dots +70 \text{ }^\circ\text{C}$	
K6	Default as Event signal			IP66	
Rated operational voltage, U_o	250 V AC / 24 V DC		Analog output		
Rated thermal current I_{th}	5 A		Output signal reference	0 ... 10 V, 0 ... 20 mA, 4 ... 20 mA	
Rated operational current I_o at AC-15 ($U_o=250 \text{ V}$)	1.5 A		Type of output signal	I Amp, U Volt, P kW, P hp, Q kVAr, S kVA, TmpMot, TmpSCR, cosPhi	
Footnote 1)	Valid for 50 % on time and 50 % off time, $3.5 \times I_o$ for 7 sec., if other data is required, contact your sales office.				
Footnote 2)	Above $40 \text{ }^\circ\text{C}$ up to max. $50 \text{ }^\circ\text{C}$ reduce the rated current with 0.8 % per $^\circ\text{C}$.				
Footnote 3)	When used at high altitudes above 1000 meters up to 4000 meters you need to derate the rated current using the following formula.				
	$[\% \text{ of } I_o = 100 - \frac{x-1000}{150}]$ x = actual altitude for the softstarter				

PSTB Integrated by-pass ratings

Softstarter	PSTB370	PSTB470	PSTB570	PSTB720	PSTB840	PSTB1050
Integrated contactor	AF300		AF460	AF580	AF750	
AC-3 rating (A)	305		460	580	750	

PST(B) – The advanced range

Technical data

Major possible settings and the displayed text and the set default values

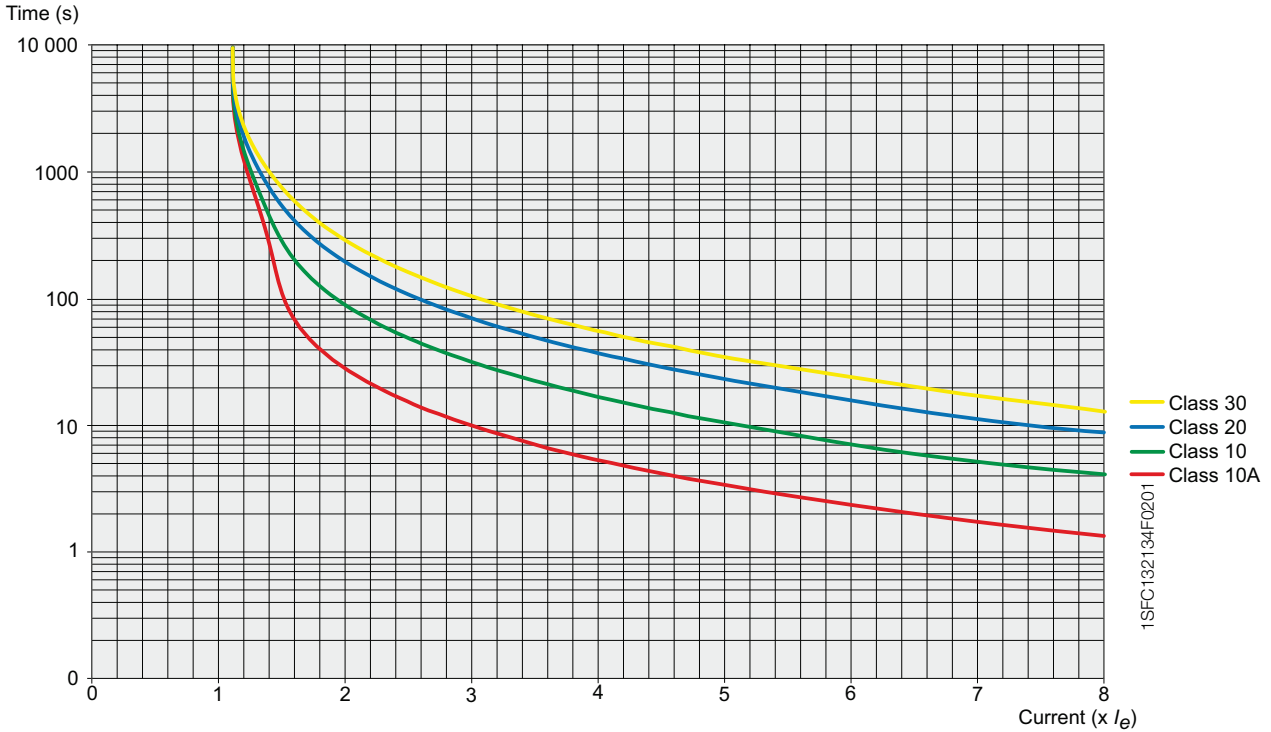
Description	Text on display Eng)	Values on display	Default value
Setting current for overload, locked rotor etc.	Setting I _e	9.0 ... 1207 A divided into 19 overlapping ranges.	See table, page 48
Time for start ramp	Start Ramp	1 ... 30 s, 1 ... 120 s (Range depends on Start Range)	10 s
Time for stop ramp	Stop Ramp	0 ... 30 s, 0 ... 120 s (Range depends on Stop Range)	0 s
Initial voltage for start ramp	Init Volt	30 ... 70 %	30 %
End voltage for stop ramp	End Volt	30 ... 70 %	30 %
Step down voltage	Step Down	30 ... 100 %	100 %
Level of the current limit.	Current Lim	1.5 ... 7.0 x I _e	4.0 x I _e
Selection of Kick start	Kick Start	Yes, No	No
Level of Kick start if selected	Kick Level	50 ... 100 %	50 %
Time for Kick start if selected	Kick Time	0.1 ... 1.5 s	0.2
Selectable range for start ramp	Start Range	1 ... 30 s, 1...120 s	1 ... 30 s
Selectable range for stop ramp	Stop Range	0 ... 30 s, 0 ... 120 s	0 ... 30 s
Overload protection	Overload	No, Normal, Dual	Normal
Overload Class	OL Class	10 A, 10, 20, 30	10
Overload Class, Dual type, Start Class	OL Class S	10A, 10, 20, 30	10
Overload Class, Dual type, Run Class	OL Class R	10A, 10, 20, 30	10
Type of operation for overload protection	OL Op	Stop-M, Stop-A, Ind	Stop-M
Locked rotor protection	Locked Rotor	Yes, No	No
Trip level for locked rotor protection	Lock R Lev	0.5 ... 8.0 x I _e	4.0 x I _e
Trip time for locked rotor protection	Lock R Time	0.2 ... 10 s	1.0 s
Type of operation for locked rotor protection	Lock R Op	Stop-M, Stop-A, Ind	Stop-M
Underload protection	Underload	Yes, No	No
Trip level for Underload protection	Underl Lev	0.4 ... 0.8 x I _e	0.5 x I _e
Trip time for Underload protection	Underl Time	1 ... 30 s	10 s
Type of operation for Underload protection	Underl Op	Stop-M, Stop-A, Ind	Stop-M
Phase imbalance protection	Phase Imb	Yes, No	No
Trip level for phase imbalance protection	Ph Imb Lev	10 ... 80 %	80 %
Type of operation for phase imbalance protection	Ph Imb Op	Stop-M, Stop-A, Ind	Stop-M
High current protection	High I	Yes, No	No
Type of operation for high current protection	High I Op	Stop-M, Stop-A, Ind	Stop-M
Phase reversal protection	Phase Rev	Yes, No	No
Type of operation for phase reversal protection	Ph Rev Op	Stop-M, Stop-A, Ind	Stop-M
PTC protection	PTC	Yes, No	No
Type of operation for PTC protection	PTC Op	Stop-M, Stop-A	Stop-M
An external Bypass contactor is used	Ext ByPass	Yes, No	No
High current warning	Warn I=High	Yes, No	No
Trip level for high current warning	Wa I=H Lev	0.5 ... 5.0 x I _e	1.2 x I _e
Low current warning	Warn I=Low	Yes, No	No
Trip level for low current warning	Wa I=L Lev	0.4 ... 1.0 x I _e	0.8 x I _e
Overload warning	Warn OL	Yes, No	No
Trip level for overload warning	Wa OL Lev	40 ... 99 %	90 %
Thyristor overload warning	Warn SCR OL	Yes, No	No
Type of operation for phase loss fault	Ph Loss Op	Stop-M, Stop-A	Stop-M
Type of operation for by-pass doesn't close	BP open Op	Stop-M, Stop-A	Stop-M
Type of operation for by-pass doesn't open	BP closed Op	Stop-M, Stop-A	Stop-M
Type of operation for fieldbus fault	FB Fault Op	Stop-M, Stop-A	Stop-M
Type of operation for frequency fault	Freq F Op	Stop-M, Stop-A	Stop-M
Type of operation for heat sink over temperature fault	HS Temp Op	Stop-M, Stop-A	Stop-M
Type of operation for thyristor short circuit fault	SCR SC Op	Stop-M, Stop-A	Stop-M
Function of programmable input In_0	In0	None, Reset, Enable, Jog, DOL, Start 2, FB-Dis	Reset
Function of programmable input In_1	In1	None, Reset, Enable, Jog, DOL, Start 3, FB-Dis	Reset
Function of programmable relay output K4	Relay K4	Run, TOR, Event	Run
Function of programmable relay output K5	Relay K5	Run, TOR, Event	TOR
Function of programmable relay output K6	Relay K6	Run, TOR, Event	Event
Control of the softstarter with fieldbus	Fieldb Ctrl	Yes, No	No
Number of sequences for sequence start.	No of Seq	No, 2, 3	No
Language to use on display	Language	US/UK, FI, SE, PT, NL, IT, FR, ES, DE, CN, RU, TR, PL, CZ	US/UK
Password for display	Password	No, 1 ... 255	
Start mode	Start Mode	Volt, Torque	Volt
Stop mode	Stop Mode	Volt, Torque	Volt
Torque limit	Torque limit	20 ... 200 %	150 %
Analog output	Analogue Out	Yes, No	No
Analog output, reference	Anl Ref	0 ... 10 V, 0 ... 20 mA, 4 ... 20 mA	4 ... 20 mA
Analog output, type of value	Anl Type	I Amp, U Volt, P kW, P hp, Q kVA, S kVA, TmpMot, TmpSCR, cosPhi	I Amp

PST(B) – The advanced range

Technical data

Tripping curves for the integrated electronic overload protection

All units have an integrated electronic overload protection possible to set on four different tripping classes. Below you find a curve for each tripping class in cold state. These tripping curves are valid for PSE, PST and PSTB




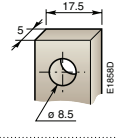
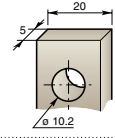
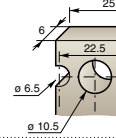
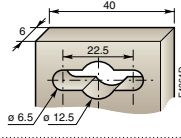
Tripping curves for electronic overload protection (Cold) for PSE, PST and PSTB.



PST(B) – The advanced range

Technical data

Cross section of connection cables

		Type of softstarter				
		PST30 ... 72	PST85 ... 142	PST175 ... 300	PSTB370 ... 470	PSTB570 ... 1050
Main circuit						
Available terminals:	L1, L2, L3	Yes	Yes	Yes	Yes	Yes
	T1, T2, T3	Yes	Yes	Yes	Yes	Yes
(For external by-pass)	B1, B2, B3	Yes	Yes	Yes	No	No
Connection clamp						
						
Solid/stranded	1 x mm ²	10 ... 95	See accessories			
Solid/stranded	2 x mm ²	6 ... 35	See accessories			
Tightening torque (recommended)	Nm	6.0	See accessories			
Connection bar						
		No				
Width and thickness	mm	-				
Hole diameter	mm	-				
Tightening torque (recommended)	Nm	-	18	28	35	45

Supply and control circuit

Connection clamp		Yes
Solid/stranded	1 x mm ²	2.5
Solid/stranded	2 x mm ²	1.5
Tightening torque (recommended)	Nm	0.5

Fuse ratings and power losses

For Softstarter Type	Recommended ABB Overload protection		Max power loss at rated I _n		Max fuse rating - main circuit ¹⁾³⁾			Power requirements supply circuit VA/VA pull in
	Type	Current range A	without by-pass ²⁾ W	with by-pass W	Bussman Fuses, DIN43 620 Type	Size		
PST								
PST30	Integrated	9...35	100	9.5	80	170M1566	000	5
PST37	Integrated	11...43	120	10.5	125	170M1568	000	5
PST44	Integrated	13...51	140	13.5	160	170M1569	000	5
PST50	Integrated	15...58	160	13.5	160	170M1569	000	5
PST60	Integrated	18...69	190	15.5	200	170M1570	000	5
PST72	Integrated	22...83	230	17	250	170M1571	000	5
PST85	Integrated	25...98	270	30.5	315	170M1572	000	10
PST105	Integrated	32...120	325	35	400	170M3819	1*	10
PST142	Integrated	43...163	435	37	450	170M5809	2	10
PST175	Integrated	53...201	540	62	500	170M5810	2	15
PST210	Integrated	63...241	645	67	630	170M5812	2	15
PST250	Integrated	75...288	765	67	700	170M5813	2	15
PST300	Integrated	90...345	920	90	900	170M6813	3	15
PSTB 600 V								
PSTB370	Integrated	111...425	N/A	90	700	170M5813	2	20/480
PSTB470	Integrated	141...540	N/A	110	900	170M6813	3	20/480
PSTB570	Integrated	171...655	N/A	105	900	170M6813	3	25/900
PSTB720	Integrated	216...828	N/A	110	1250	170M8554	3	25/860
PSTB840	Integrated	252...966	N/A	170	1500	170M6018 ⁴⁾	3	25/860
PSTB1050	Integrated	315...1207	N/A	170	1800	170M6020 ⁴⁾	3	25/860
PSTB 690 V								
PSTB370	Integrated	111...425	N/A	90	700	170M5813	2	20/480
PSTB470	Integrated	141...540	N/A	110	900	170M6813	3	20/480
PSTB570	Integrated	171...655	N/A	105	900	170M6813	3	25/900
PSTB720	Integrated	216...828	N/A	110	1250	170M8554	3	25/860
PSTB840	Integrated	252...966	N/A	170	1500	170M6018 ⁴⁾	3	25/860
PSTB1050	Integrated	315...1207	N/A	170	1600	170M6019 ⁴⁾	3	25/860

¹⁾ For the supply circuit 6 A delayed, for MCB use C characteristics.

²⁾ See PSS page 24

³⁾ Max fuse rating independent if In-Line or Inside Delta connection. In Inside Delta connections of PST, the fuses can be placed outside of the delta. For PSTB the fuses shall be placed inside the delta. Contact ABB for more information.

⁴⁾ DIN43 653

PST(B) – The advanced range

UL ratings

3-phase motor rating – In-Line


Softstarters	Motor power P (hp) and full load current FLA, (A)				
	Max. FLA A	U _e 200V / 208 V hp	U _e 220 V / 240 V hp	U _e 440 V / 480 V hp	U _e 550 V / 600 V hp
PST30	28	7.5	10	20	25
PST37	34	10	10	25	30
PST44	42	10	15	30	40
PST50	54	15	20	40	50
PST60	60	20	20	40	50
PST72	68	20	25	50	60
PST85	80	25	30	60	75
PST105	104	30	40	75	100
PST142	130	40	50	100	125
PST175	156	50	60	125	150
PST210	192	60	75	150	200
PST250	248	75	100	200	250
PST300	302	100	100	250	300
PSTB370	361	125	150	300	350
PSTB470	480	150	200	400	500
PSTB570	590	200	250	500	600
PSTB720	720	250	300	600	700
PSTB840	840	300	350	700	800
PSTB1050	1062	400	450	900	1000

3-phase motor rating – Inside Delta

Softstarters	Motor power P (hp) and full load current FLA, (A)				
	Max. FLA A	U _e 200 V / 208 V hp	U _e 220 V / 240 V hp	U _e 440 V / 480 V hp	U _e 550 V / 600 V hp
PST30	42	10	15	30	40
PST37	54	15	20	40	50
PST44	72	20	25	50	60
PST50	80	25	30	60	75
PST60	104	30	40	75	100
PST72	104	30	40	75	100
PST85	130	40	50	100	125
PST105	156	50	60	125	150
PST142	192	60	75	150	200
PST175	248	75	100	200	250
PST210	302	100	100	250	300
PST250	361	125	150	300	350
PST300	480	150	200	400	500
PSTB370	590	200	250	500	600
PSTB470	720	250	300	600	700
PSTB570	840	300	350	700	800
PSTB720	1247	400	500	1000	1200
PSTB840	1454	500	600	1200	1500
PSTB1050	1839	600	700	1500	1800

FBP FiledBusPlug

DeviceNet, MODBUS-RTU and CANopen, ordering details

Black cable 



DeviceNet FieldBusPlug

Ready-made DeviceNet fieldbus interface with various cable lengths.

- Applicable on all FBP motor starters and other devices
- Degree of protection IP65, diagnostic LED

Designation	Cable length	Type	Order code	Pack ^{ing} piece	Weight kg 1 piece
DeviceNet-FBP	0.25 m	DNP21-FBP.025	1SAJ 230 000 R1003	1	0.09
DeviceNet-FBP	0.50 m	DNP21-FBP.050	1SAJ 230 000 R1005	1	0.10
DeviceNet-FBP	1.00 m	DNP21-FBP.100	1SAJ 230 000 R1010	1	0.13
DeviceNet-FBP	5.00 m	DNP21-FBP.500	1SAJ 230 000 R1050	1	0.36



DNP21-FBP
MRP21-FBP
COP21-FBP

MODBUS-RTU FieldBusPlug

Ready-made MODBUS-RTU fieldbus interface with various cable lengths.

- Applicable on all FBP motor starters and other devices
- Degree of protection IP65, diagnostic LED

Designation	Cable length	Type	Order code	Pack ^{ing} piece	Weight kg 1 piece
MODBUS-RTU-FBP	0.25 m	MRP21-FBP.025	1SAJ 250 000 R0003	1	0.09
MODBUS-RTU-FBP	0.50 m	MRP21-FBP.050	1SAJ 250 000 R0005	1	0.10
MODBUS-RTU-FBP	1.00 m	MRP21-FBP.100	1SAJ 250 000 R0010	1	0.13
MODBUS-RTU-FBP	5.00 m	MRP21-FBP.500	1SAJ 250 000 R0050	1	0.36

CANopen FieldBusPlug

Ready-made CANopen fieldbus interface with various cable lengths.

- Applicable on all FBP motor starters and other devices
- Degree of protection IP65, diagnostic LED

Designation	Cable length	Type	Order code	Pack ^{ing} piece	Weight kg 1 piece
CANopen-FBP	0.25 m	COP21-FBP.025	1SAJ 230 100 R1003	1	0.09
CANopen-FBP	0.50 m	COP21-FBP.050	1SAJ 230 100 R1005	1	0.10
CANopen-FBP	1.00 m	COP21-FBP.100	1SAJ 230 100 R1010	1	0.13

To connect the PST Softstarter to a DeviceNet or CANopen fieldbus system...

you need specific software for PLC set-up, (EDS file) which is available at www.abb.com/lowvoltage on the Softstarter pages. Look under the documentation-link named Software. If you need help or advice, please contact your local ABB office.

Accessories for the DeviceNet, MODBUS-RTU and CANopen bus connector



DNF11-FBP.050



DNM11-FBP.050

DeviceNet, MODBUS-RTU and CANopen round cable for bus junctions

Ready-made bus cable with an M12 connector and an open cable end.

Designation	Cable length	Type	Order code	Pack ^{ing} piece	Weight kg 1 piece
Round cable with female connector	0.50 m	DNF11-FBP.050	1SAJ 923 002 R0005	1	0.04
Round cable with male connector	0.50 m	DNM11-FBP.050	1SAJ 923 003 R0005	1	0.04



DNX11-FDP

DeviceNet, MODBUS-RTU and CANopen round cable for bus extension

Ready-made bus cable with M12 male and female connectors

Designation	Cable length	Type	Order code	Pack ^{ing} piece	Weight kg 1 piece
Extension cable	1.00 m	DNX11-FBP.100	1SAJ 923 001 R0010	1	0.08
Extension cable	3.00 m	DNX11-FBP.300	1SAJ 923 001 R0030	1	0.20
Extension cable	5.00 m	DNX11-FBP.500	1SAJ 923 001 R0050	1	0.31
Round cable	100.00 m	DNC11-FBP.999	1SAJ 923 004 R0001	1	5.60



DNM11-FBP.0

DNF11-FBP.0

DeviceNet, MODBUS-RTU and CANopen round cable connectors

Bus cable and coupling accessories

Designation	Type	Order code	Pack ^{ing} piece	Weight kg 1 piece
Male connector for round cable	DNM11-FBP.0	1SAJ 923 005 R0001	5	0.15
Female connector for round cable	DNF11-FBP.0	1SAJ 923 006 R0001	5	0.15



DNR11-FBP.120

DeviceNet, MODBUS-RTU and CANopen termination resistor

Designation	Type	Order code	Pack ^{ing} piece	Weight kg 1 piece
Termination Resistor, 120 Ohm	DNR11-FBP.120	1SAJ 923 007 R0001	1	0.02

FBP FieldBusPlug

Profibus DP, ordering details

Purple cable



PDP22-FBP

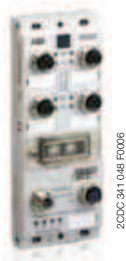
Profibus DP FieldBusPlug

Ready-made Profibus DP fieldbus interface with various cable lengths.

- Supports PROFIBUS DP V0 and V1
- Applicable on all FBP motor starters and other devices
- Degree of protection IP65, diagnostic LED



Designation	Cable length	Type	Order code	Pack ^{ing} piece	Weight kg 1 piece
Profibus DP FBP	0.25 m	PDP22-FBP.025	1SAJ 240 100 R1003	1	0.09
Profibus DP FBP	0.50 m	PDP22-FBP.050	1SAJ 240 100 R1005	1	0.10
Profibus DP FBP	1.00 m	PDP22-FBP.100	1SAJ 240 100 R1010	1	0.13
Profibus DP FBP	2.00 m	PDP22-FBP.200	1SAJ 240 100 R1020	1	0.20
Profibus DP FBP	5.00 m	PDP22-FBP.500	1SAJ 240 100 R1050	1	0.36



PDQ22-FBP

Profibus DP FieldBusPlug for 4 devices

PDQ22 is a member of the ABB FieldBusPlug family of bus connectors. It allows the connection of up to four devices to Profibus DP by just using one Profibus node access. This allows a cost efficient device integration for devices that are located physically nearby. PDQ22 supports DP-V0 and DP-V1. The degree of protection is IP66. There are separate diagnosis LEDs for bus and device status.

Note that the accessories PDQ22-FBP only works with the PSR and PSE and not with the PST(B) softstarter.

Designation	Type	Order code	Pack ^{ing} piece	Weight kg 1 piece
Quadruple bus connector	PDQ22-FBP	1SAJ 240 200 R0050	1	0.20
DINrail adapter for PDQ22-FBP	CDA11-FBP.0	1SAJ 929 300 R0001	1	0.11
Fixing bracket for passive plug of connection cable	CDP11-FBP.0	1SAJ 929 100 R0001	1	0.50



UTF21-FBP

Configuration software

This cable and software can be used for set-up and commissioning of the softstarter as well as to keep back-up of the parameter settings.

Designation	Type	Order code	Pack ^{ing} piece	Weight kg 1 piece
USB to FBP interface cable	UTF21-FBP	1SAJ 929 400 R0002	1	
PDP22/PDQ22 Device Type Manager (DTM) incl. FDT/DTM frame application	PBDTM-FBP	1SAJ 924 012 R0003	1	

To connect the PST Softstarter to a Profibus DP fieldbus system...

you need specific software for PLC set-up, (GSD file) which is available at www.abb.com/lowvoltage on the Softstarter pages. Look under the documentation-link named Software. If you need help or advice, please contact your local ABB office.

PDP21 is replaced by PDP22.
Use PDP22 with the GSD-file Abb_082d.gsd regardless if the PLC is a DP/V0 or DP/V1.

FBP FieldBusPlug

Profibus DP accessories, ordering details



Accessories for the Profibus DP Bus Connector

Profibus DP Round Cable for Bus Junctions

Ready-made bus cable with an M12 connector and an open cable end.

- Application on bus junctions such as e.g. Profibus DB couplers or devices with an integrated Profibus DB interface



Designation	Cable length	Type	Order code	Pack ^{ing} piece	Weight kg 1 piece
Round Cable with female connector	0.50 m	PDF11-FBP.050	1SAJ 924 002 R0005	1	0.04
Round Cable with male connector	0.50 m	PDM11-FBP.050	1SAJ 924 003 R0005	1	0.04

Profibus DP Round Cable for Bus Extension

Ready-made bus cable with M12 male and female connectors

Round cable on coil

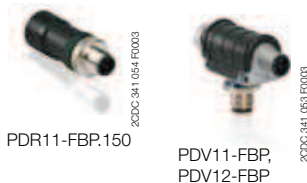


Designation	Cable length	Type	Order code	Pack ^{ing} piece	Weight kg 1 piece
Extension Cable	0.50 m	PDX11-FBP.050	1SAJ 924 001 R0005	1	0.04
Extension Cable	1.00 m	PDX11-FBP.100	1SAJ 924 001 R0010	1	0.08
Extension Cable	3.00 m	PDX11-FBP.300	1SAJ 924 001 R0030	1	0.20
Extension Cable	5.00 m	PDX11-FBP.500	1SAJ 924 001 R0050	1	0.31
Round Cable	100.00 m	PDC11-FBP.999	1SAJ 924 004 R1000	1	5.60



Profibus DP Accessories for Bus Extension

Designation	Type	Order code	Pack ^{ing} piece	Weight kg 1 piece
Male Connector for round cable	PDM11-FBP.0	1SAJ 924 005 R0001	5	0.03
Female Connector for round cable	PDF11-FBP.0	1SAJ 924 006 R0001	5	0.03



Profibus DP Termination Resistor, Miscellaneous Accessories

Designation	Type	Order code	Pack ^{ing} piece	Weight kg 1 piece
Termination Resistor, 150 Ohm	PDR11-FBP.150	1SAJ 924 007 R0001	1	0.03
Feeding connector 24V DC, Code B-A	PDV11-FBP.0	1SAJ 924 008 R0001	1	0.04
Feeding connector 24V DC, Code A-A	PDV12-FBP.0	1SAJ 924 011 R0001	1	0.04
Adaptor M12-Dsub9-M12 Cable length 0.50m	PDA11-FBP.050	1SAJ 924 009 R0001	1	0.04
Adaptor M12-Dsub9-M12 Cable length 2 x 0.50m	PDA12-FBP.050	1SAJ 924 010 R0001	1	0.04

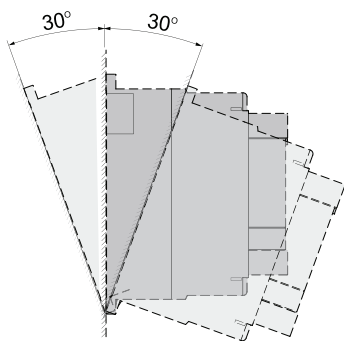
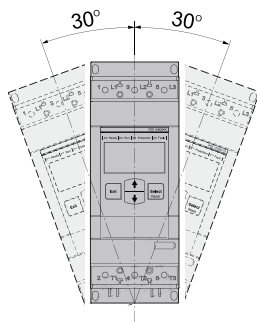
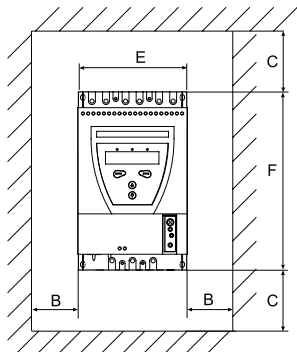
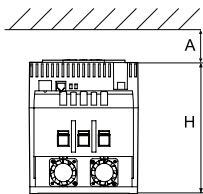


Extension cable

Designation	Cable length	Type	Order code	Pack ^{ing} piece	Weight kg 1 piece
Extension cable (female/male), shielded	0.3 m	CDP15-FBP.030	1SAJ 929 140 R0003	1	
Extension cable (female/male), shielded	0.6 m	CDP15-FBP.060	1SAJ 929 140 R0006	1	
Extension cable (female/male), shielded	1.5 m	CDP15-FBP.150	1SAJ 929 140 R0015	1	0.20
Extension cable (male/open), shielded	1.5 m	CDP16-FBP.150	1SAJ 929 150 R0015	1	0.20

Wall mounting instructions Softstarters

Minimum distance to wall/front



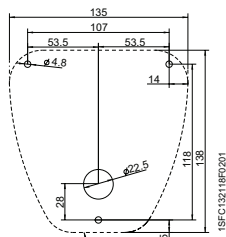
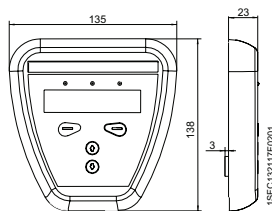
Dimensions

Softstarter, type	A	B	C	E	F	H
PSR						
PSR3 ... 16	25	0*	0	45	140	114
PSR25 ... 30	25	0*	0	45	160	128
PSR37 ... 45	25	0*	0	54	187	153
PSR60 ... 105	25	0*	0	70	220	180
PSS ... -500 for 500 V						
PSS18/30 ... 44/76	20	10	100	120	200	162
PSS50/85 ... 72/124	20	10	100	140	250	162
PSS85/147 ... 142/245	20	10	100	181	340	265
PSS175/300 ... 300/515	20	10	100	356	340	265
PSS ... -690 for 690 V						
PSS18/30 ... 72/124	20	10	100	140	250	163
PSS85/147 ... 142/245	20	10	100	181	340	265
PSS175/300 ... 300/515	20	10	100	356	340	265
PSE						
PSE18 ... 105	20	10	100	90	245	185.5
PSE142 ... 170	20	10	100	130	295	219.5
PSE210 ... 370	20	10	100	190	550	236.5
PST						
PST30 ... 72	20	10	100	160	260	196
PST85 ... 142	20	10	100	186	390	270
PST175 ... 300	20	10	100	360	420	270
PSTB						
PSTB370 ... 470	20	15	150	365	460	361
PSTB570 ... 1050	20	15	150	435	515	381

*) 5 mm for the 24 V DC version

Dimensions

PSTEK

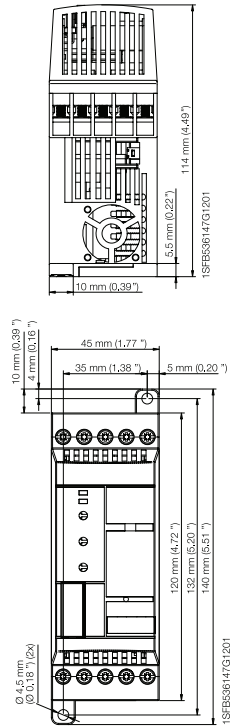


Dotted line denotes area covered by external keypad

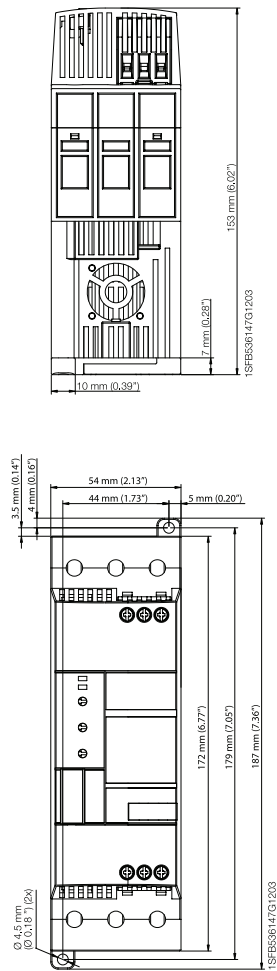
Dimensions in mm

Dimensions Softstarters, type PSR

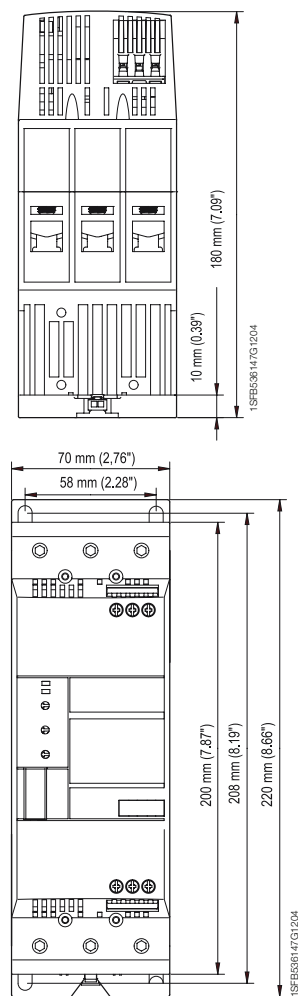
PSR3 ... 16



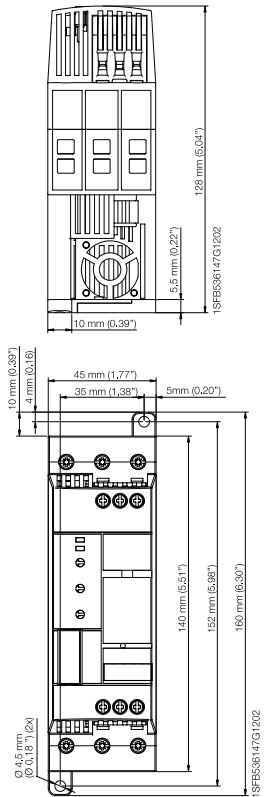
PSR37 ... 45



PSR60 ... 105



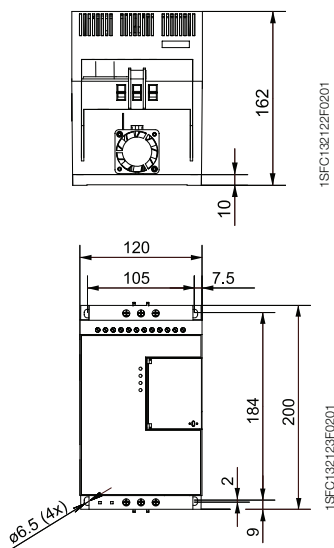
PSR25 ... 30



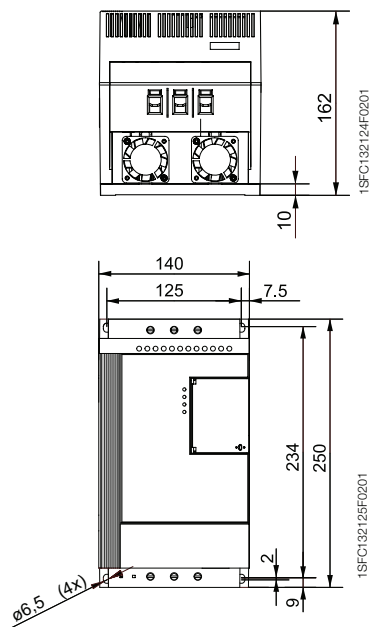
Dimensions in mm (and inches)

Dimensions Softstarters, type PSS

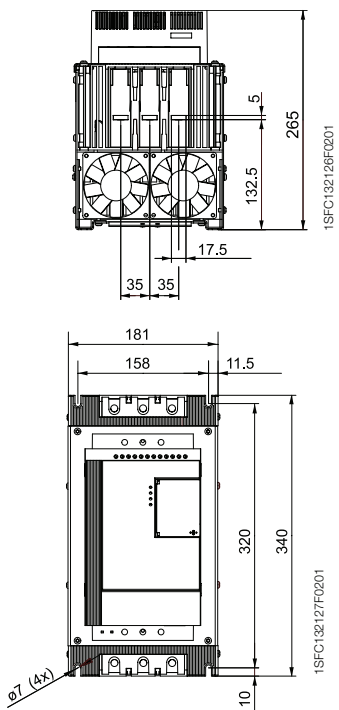
PSS18/30-500 ... 44/76-500



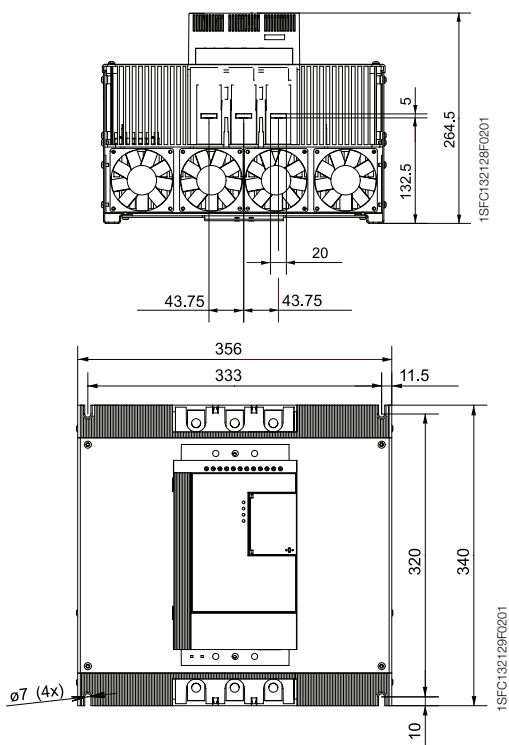
PSS50/85-500 ... 72/124-500
PSS18/30-690 ... 72/124-690



PSS85/147-500 ... 142/245-500
PSS85/147-690 ... 142/245-690



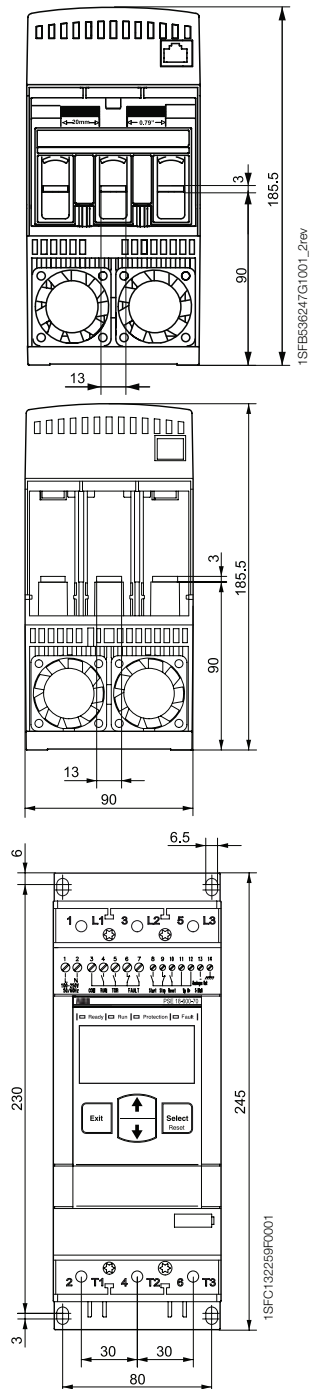
PSS 175/300-500 ... 300/515-500
PSS 175/300-690 ... 300/515-690



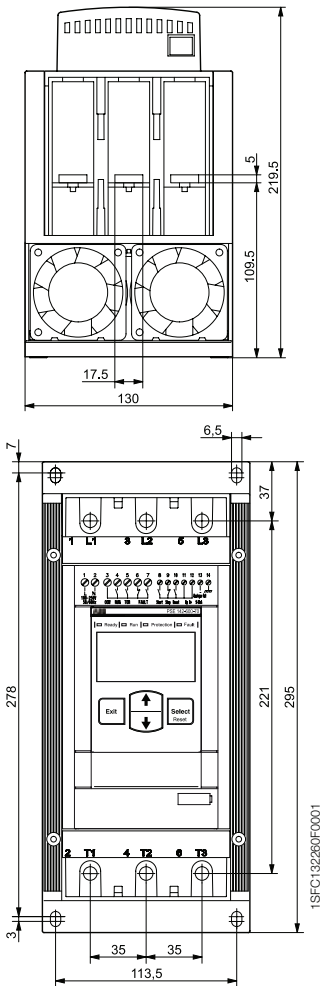
Dimensions in mm

Dimensions Sofstarters, type PSE

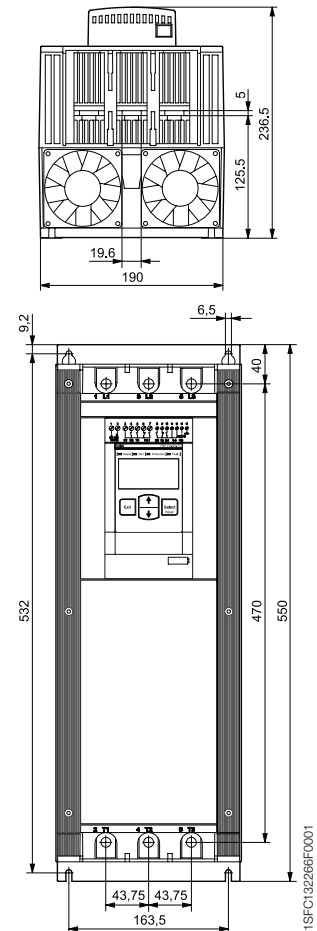
PSE18 ... 105



PSE142 ...170



PSE210 ... 370

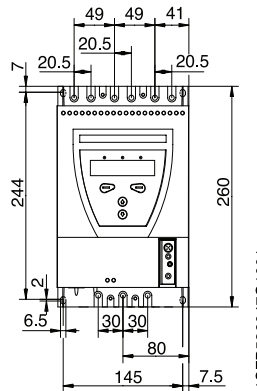
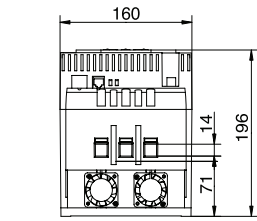


Dimensions in mm

Dimensions

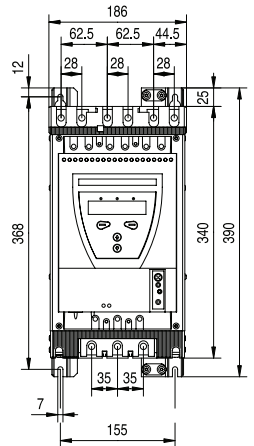
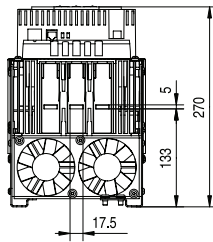
Softstarters, type PST and PSTB

PST30 ... 72



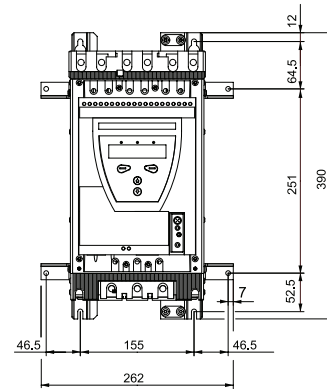
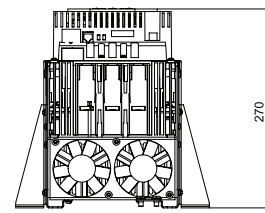
1SFB536047G1001

PST85 ...142



1SFB536047G1002

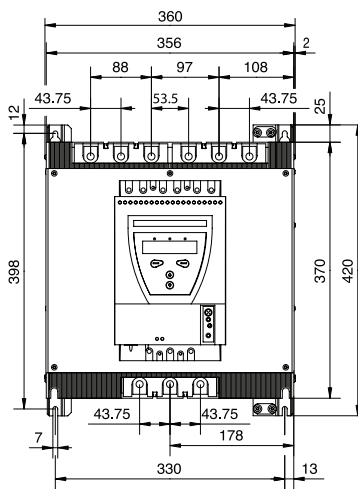
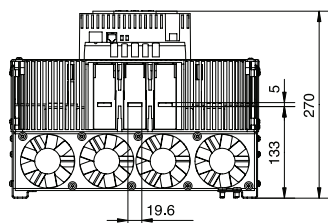
PST85 ...142 with marine kit



1SFC132130F0201

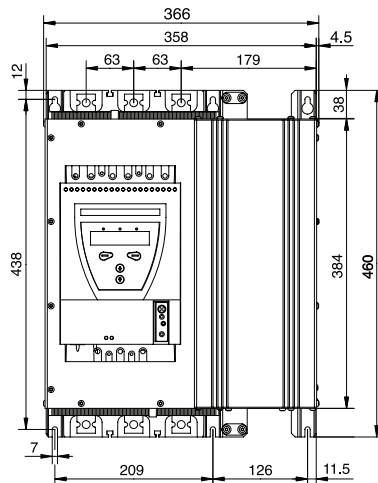
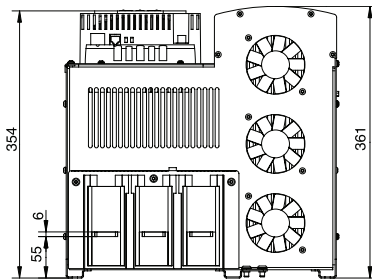
1SFC132131FR201

PST175 ... 300



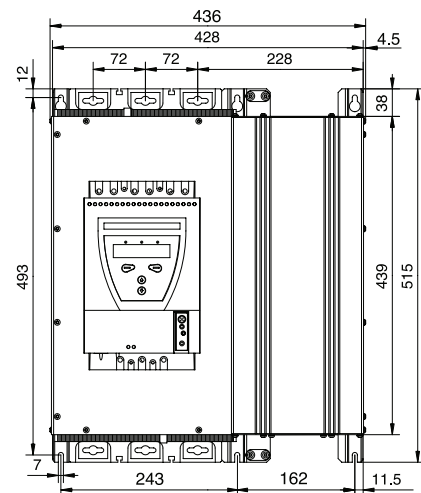
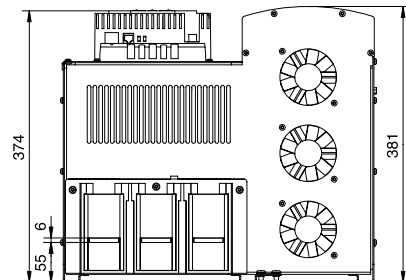
1SFB536047G1003

PSTB370 ... 470



1SFB536047G1004

PSTB570 ... 1050



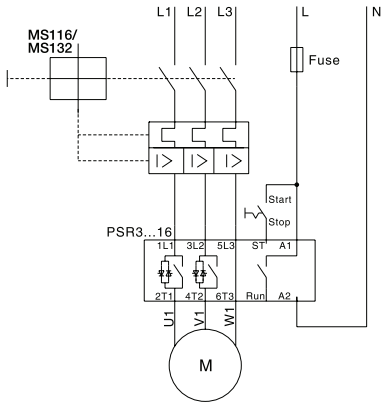
1SFB536047G1005

Dimensions in mm

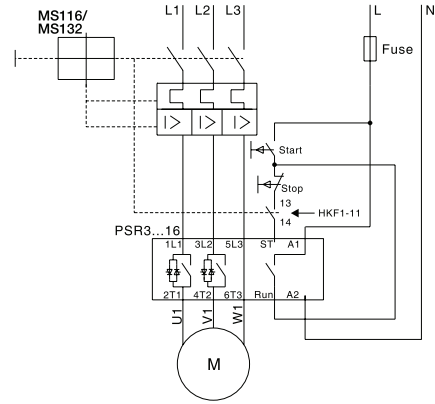
Circuit diagrams

Softstarters, type PSR

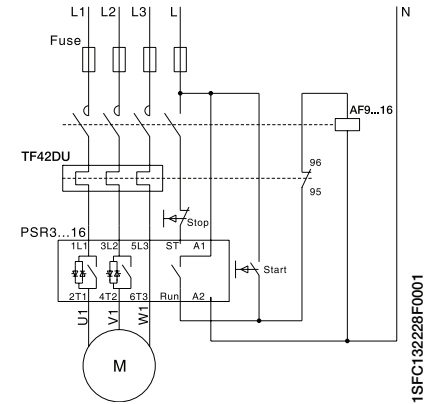
PSR3 ...16
A) With MMS



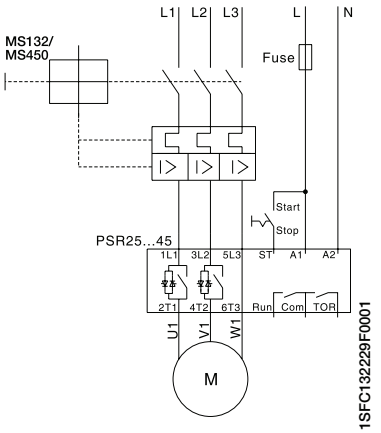
B) With MMS and auxiliary contact



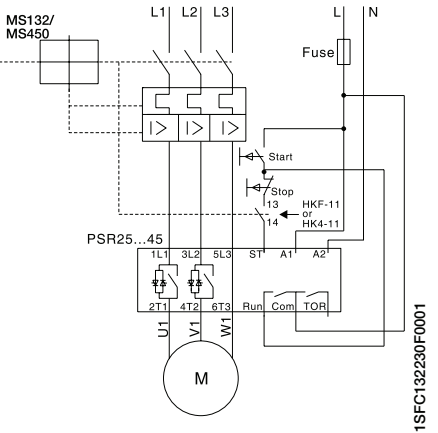
C) With fuses, contactor and O.L.



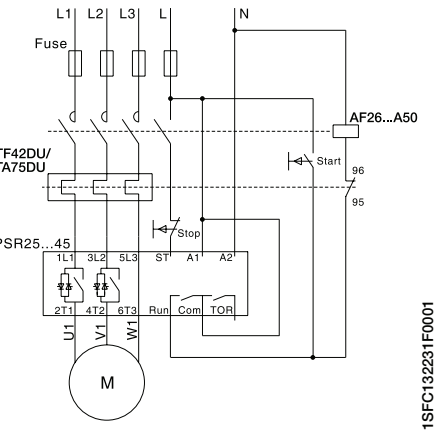
PSR25 ... 45
D) With MMS



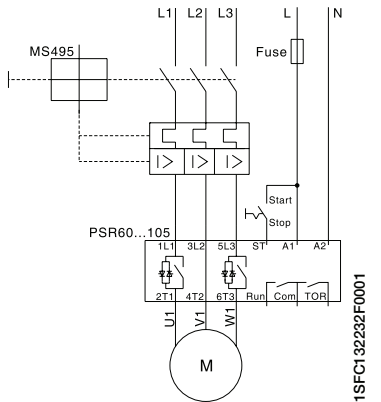
E) With MMS and auxiliary contact



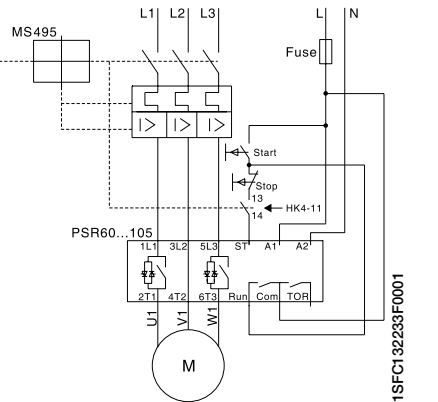
F) With fuses, contactor and O.L.



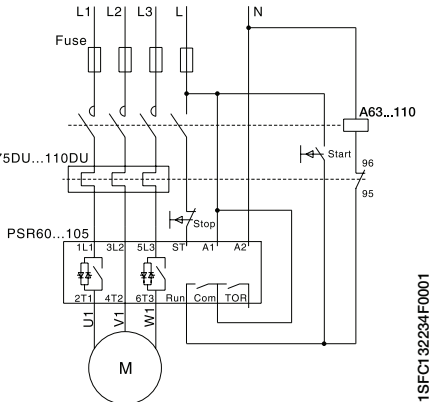
PSR60 ... 105
G) With MMS



H) With MMS and auxiliary contact



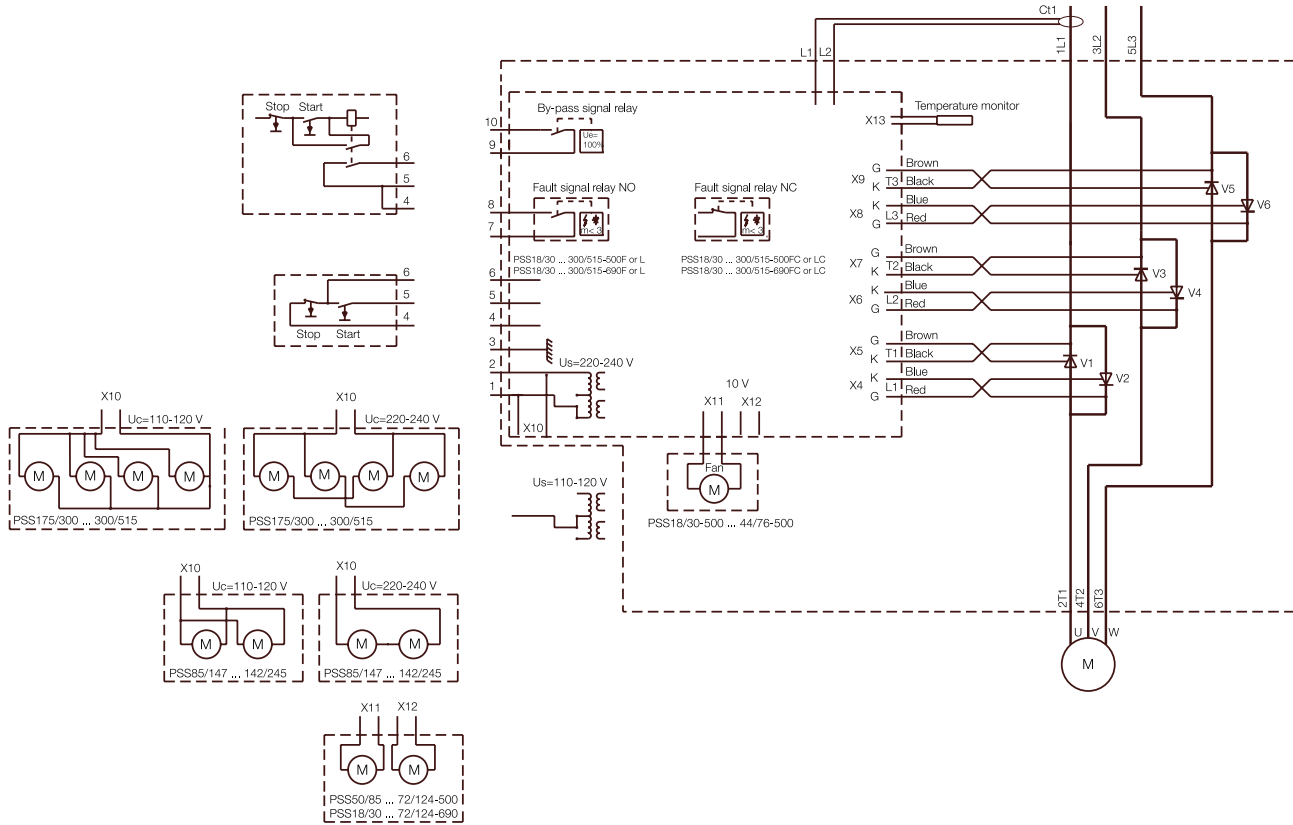
I) With fuses, contactor and O.L.



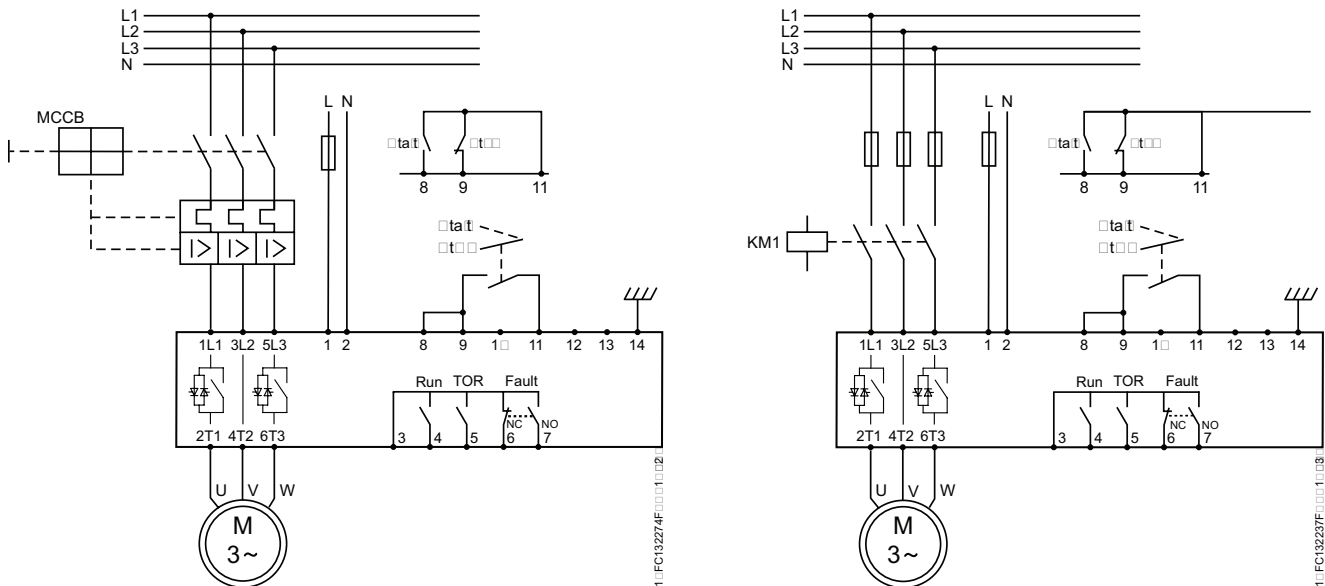
Circuit diagrams

Softstarters, type PSS and PSE

PSS18/30...300/515



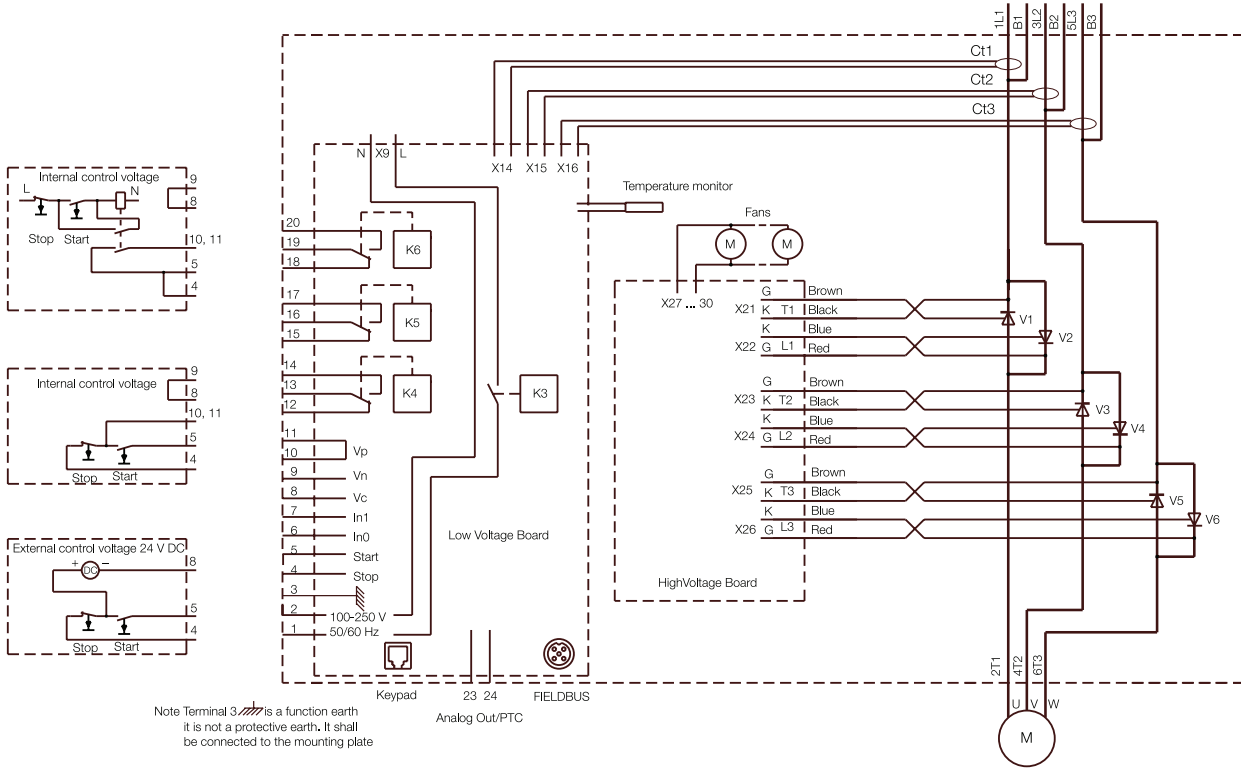
PSE18 ... 370



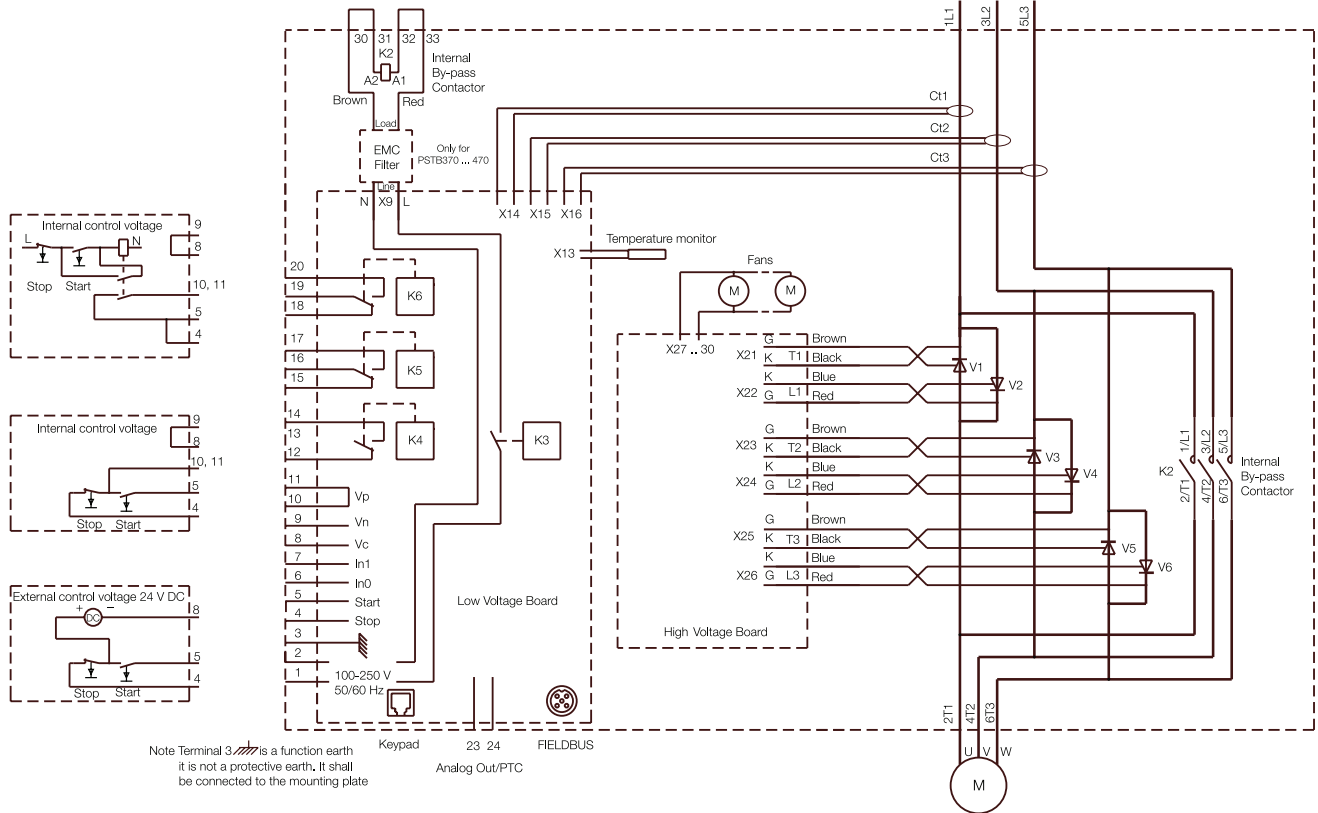
Circuit diagrams

Softstarters, type PST and PSTB

PST30...300



PSTB370...1050



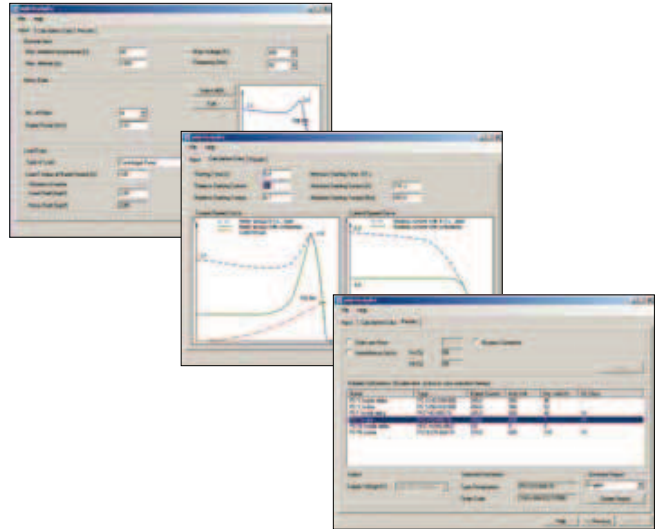
ProSoft and Coordination tables

ProSoft5 - Softstarter selection tool

The selection of a softstarter can be done according to this catalog. This will work fine in the majority of cases but by using the softstarter selection tool ProSoft, a more optimized selection will be achieved. Especially in extremely heavy duty applications with several minutes starting time, the use of ProSoft is recommended.

When using ProSoft, the selection is done in 3 steps, which can be seen as 3 different tabs in the program:

1. Input tab – Type in the general data and information about the motor and about the load. Try to use as accurate data as possible to get the most accurate results.
2. Calculation tab – Here it is possible to see how long the start will be depending on how high the current is. This tab will indicate which settings should be used and it might affect the selection.
3. The selection tab – Select which of the suggested softstarters to use. Here it is also possible to generate a report about the selection.



Coordination tables

Coordination is a combination of electrical apparatus which is safe for the surroundings and personnel, even if an overload or a fault should occur in the system. The ABB coordination tables are available for different combinations of products. The softstarter coordination tables are available with different protection devices (MMS, MCCB and semiconductor fuses), different coordination types (type 1 and type 2), different kA-ratings and for different connections (In Line and Inside Delta).

The coordination tables can be found on www.abb.com/lowvoltage by clicking “Online Product Selection Tools” and “Coordination Tables for motor protection”.

Model	Rating	Protection device	Coordination type	Connection	Notes
PS15	15 A	MMS	Type 1	In Line	
PS15	15 A	MCCB	Type 1	In Line	
PS15	15 A	MMS	Type 2	In Line	
PS15	15 A	MCCB	Type 2	In Line	
PS15	15 A	MMS	Type 1	Inside Delta	
PS15	15 A	MCCB	Type 1	Inside Delta	
PS15	15 A	MMS	Type 2	Inside Delta	
PS15	15 A	MCCB	Type 2	Inside Delta	

Material available on www.abb.com/lowvoltage

The following material is a selection of all softstarter related material that is available on www.abb.com/lowvoltage. Just click on “Control Products”, then “Softstarters”.

- Product catalogs and brochures
- Certificates and approvals
- Circuit diagrams and application diagrams
- Dimension drawings (2D and 3D)
- Manuals
- eds- and gsd-files for fieldbus connection
- Prosoft selection tool













Certifications and approvals

The table below shows the approvals and certifications for different softstarters.

For approvals and/or certificates not listed below, please contact your local ABB sales office.

Certifications and approvals

Abbreviation Approved in	Certifications							Approvals: ship classification societies		
										
	CE EU	UL USA	cULus Canada USA	CSA Canada	CCC China	GOST Russia	ANCE Mexico	C-tick Australia	ABS American Bureau of Shipping	GL Germany
PSR3 ... PSR105	•	• ¹⁾	•	• ¹⁾	•	•	–	•	–	–
PSS18/30 ... PSS300/515	•	•	–	•	•	•	•	•	–	–
PSE18 ... PSE370	•	–	pending	–	pending	•	•	•	–	–
PST30 ... PSTB1050	•	• ¹⁾	•	• ¹⁾	•	•	•	•	•	•

• **Standard design approved**, the company labels bear the certification mark when this is required.

1) Covered by cULus certificate

Directives and Standards

No. 2006/95/EC	Low voltage equipment
No. 2004/108/EC	Electromagnetic compability
EN 60947-1	Low-voltageswitchgear and controlgear - Part 1: General rules
EN 60947-4-2	AC semiconductor motor controllers and starters
UL 508	Industrial Control Equipment
CSA C22.2 No 14	Industrial Control Equipment

Contact us

ABB AB**Cewe-Control**

SE-721 61 VÄSTERÅS, Sweden

Telephone +46 21 32 07 00

Telefax +46 21 12 60 01

www.abb.com/lowvoltage

©Copyright 2011, All rights reserved.
Specification subject to change without notice.

Catalog 1SFC132005C0201, rev.C, April 2011. Prod. ABB AB, Cewe-Control/XM